



altaeuro FRAMELESS COLLECTION

US Cabinet Depot is a blend of cabinetry professionals from many different areas of the cabinet industry. This mix of knowledge and experience has allowed us to build a company that truly understands the needs of its customers. Our focus is on providing products that exceed our customers' expectations in quality, price and service.

Quality:

Our products are designed to the highest standards in style and function. We start by selecting only high quality raw materials, hardware, adhesives and finishes. This bundle of superior components is the first step to securing your long term satisfaction.

The second step is a state of the art manufacturing process which ensures consistent production across the board. We have worked diligently to cut out waste and eliminate bottle necks. New manufacturing technologies are quickly implemented as they become available to the industry. The result is streamlined and efficient production costs which support a very competitive sales price for our products.

The final step is thorough inspections. Components are inspected for quality at the completion of each step of the manufacturing process. When the entire process is complete, each batch of product is compared with a control group to make sure it will match warehouse inventory perfectly. These quality standards were established so our customers have confidence in the consistent quality of our construction, color and finish.

Service:

We believe a product is only as good as the service that supports it. We spend a lot of time developing materials, processes and policies in order to make sure our customers are better served. The services we provide can be divided into three categories: supporting materials, order processing and customer service. Large strides have been made to ensure all of the pertinent information customers seek is readily available. Marketing materials are constantly being developed and distributed to help our customers educate their clientele. We understand that these are the sales tools required to successfully sell our product in your showrooms.

Our automated order processing system has allowed us to eliminate many unnecessary steps, significantly reducing our lead time. Orders placed online seamlessly flow through our inventory control and accounting systems.

We have a great team of experienced cabinet professionals ready to hear your concerns and answer your questions. Most importantly we listen to the input our customers give us and make sure your suggestions are addressed as we continually seek ways to better serve you. The goal is to establish a mutually beneficial relationship in which we can grow our businesses around.

Sample Doors

Capital Framed Collection - Highland Series

Shaker



White Antique White Dove Grey Cinder

Torrance



White

Casselberry



Antique White Saddle

Sample Doors are available to purchase individually or as a kit.

2

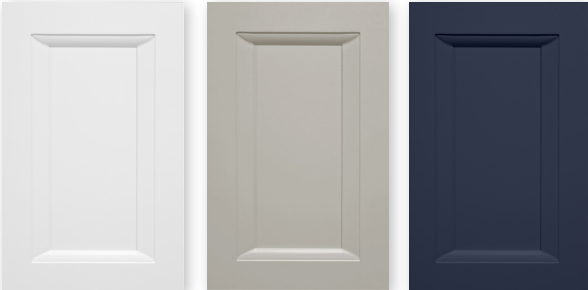
altaeuro Full-Access Frameless

Torino



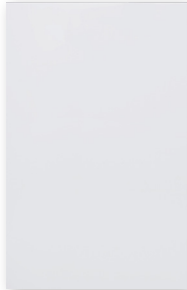
White Pine Grey Wood Dark Wood

Verona - Limited Release (Contact Your USCD Rep for Details)



Pure Blanc Storm Grey Midnight Navy

Palermo



Gloss White

Marketing Tools



Highland Series Sales Sheet (50 Pack)



altaeuro Sales Sheet (50 Pack)



Specification Manual

Marketing Materials are available to purchase individually or as a kit.

Our mini bases come with the exact hardware used in our framed and frameless cabinetry.



Framed Mini Base



Frameless Mini Base



Framed Merchandiser

Contact your USCD Rep for merchandising solutions

Dealer Policies

- As an authorized US Cabinet Depot dealer, it is your responsibility to communicate our policies, product information, order information, claim information, etc. to your customer.
 - US Cabinet Depot will not provide any details to your customer at any time nor will we be held responsible for any inaccurate information provided by you or your associates.**
- All online resale of US Cabinet Depot products must be approved PRIOR to offering it for sale.
 - If online resale is approved by US Cabinet Depot, you are only allowed to resale on the website specified at the time of approval. Approval for resale on additional websites will need additional approval from US Cabinet Depot.
- Prior to publicizing your selling price, all dealers must adhere to the minimum advertised price as confirmed with your US Cabinet Depot representative.
- US Cabinet Depot reserves the right to monitor and modify dealer accounts as it applies to the company standards, (i.e. active status, eligible discounts, etc).

Order Processing & Payment

- All orders from US Cabinet Depot approved dealers will be accepted online only.
- Large quantities of a single item or larger orders may trigger a review process that will require US Cabinet Depot approval prior to proceeding.
- Full Payment is required before an order will be processed.** (This includes backorders and approved written add-ons).
- Payment can be made by Credit Card, Debit Card, or PayPal.
 - US Cabinet Depot cannot be held liable for payment methods that are not owned and/or managed by the dealer.
- Any order, or change, that is unable to be completed on the website, must be submitted in writing to info@uscabinetdepot.com. Such requests exclude the order(s) from standard lead times.
 - Once an order is in process, no changes can be made. Additional items can be processed online as a new order.

Shipped Order Lead Time

- Express Advantage shipping is available for all flat pack orders and will ship within 3 full business days.
- Assembled orders are processed and shipped within 15 full business days.

Warehouse Pick Up Order Lead Time

- Flatpack warehouse pickup orders are processed and made available for pickup within 3 full business days.
- Assembled warehouse pickup orders are processed and made available for pickup within 15 full business days.

- **RUSH ADVANTAGE ORDERS** will be processed for an additional fee for **flat pack orders ONLY**. (All orders with rush services are subject to total item quantity review.) The "Rush Fee" only applies to warehouse processing time and does not apply to transit time to your destination.
 - Same-day warehouse pickup is available for flat pack orders placed by 12:00 PM (local warehouse time) and requires a minimum 3 hour processing time.
 - Same-day shipping is available for flat pack orders placed by 12:00 PM (local fulfilling warehouse time). Orders placed after 12:00 PM will be processed the following business day.
 - Rush Advantage is unavailable for assembly orders and discontinued lines. Combined orders subject to refund of rush fee.
 - Rush Advantage must be selected at the time of checkout.
- "Day One" starts on the NEXT full business day after the order is placed.
- Cancellations after the order is picked will be subject to a 10% processing fee.
- Cancellations made after an order has been loaded onto a carrier's truck, or picked up, are subject to a 20% restocking/processing fee.

Backorders

- US Cabinet Depot reserves the right to activate or deactivate backorders for certain styles, colors, or SKUs at the company's discretion.
- Backorder shipping fees are based on the estimated size of the order and are subject to change based on market rates and services.
- The backorder shipping fee only covers one shipment, the backorder will not be not released until all items on the backorder have been replenished in the fulfilling warehouse.

Assembly & Modifications

- Assembly and limited modifications are available for warehouse pickup and freight shipped orders (from select warehouses) for additional labor and shipping fees as calculated by the website.
- A limited number of modifications are available ON FRAMED ASSEMBLED ITEMS ONLY, including:
 - Increased Depth
 - Decreased Depth
 - Prep for Glass: Route Door(s) & Finish Interior
 - Double Oven Conversion
- Modifications exempt the entire order from normal lead times and can take up to an additional 5 business days for completion.

Shipping & Delivery

- All LTL freight orders are packaged in individual boxes, placed on a pallet, shrink-wrapped, and strapped.
- All LTL freight shipping charges are calculated online at the time of checkout.
- US Cabinet Depot reserves the right to fulfill orders between multiple shipments from different distribution facilities, without prior notification to the customer and with no additional cost applied.
 - If a customer requests changes to their selected shipping method after the time of checkout additional charges may apply.

LTL Shipping

- There is a 2-5 business day standard transit time with LTL carriers. **Please account for at least one extra day for residential deliveries and deliveries requiring a scheduled delivery appointment.**
- **Shipping charges must be paid for when your order is placed online.** (Orders exceeding standard LTL sizes are subject to additional fees for Full Truckload shipping).
 - This can be, but not always, identified by a \$9999 shipping cost that is revised after your order has been reviewed for shipping.
- You will receive a tracking number by email the day after the order has shipped.
- All destinations must be tractor/trailer accessible, or Limited Access fees will be applied (\$125).
- For residential deliveries and deliveries requiring an appointment, the freight company will contact you 24 hours in advance to schedule the delivery (usually a 3-4 hour window).
- Shipping charges cover ONE delivery attempt. The customer is responsible for any additional shipping and handling charges for delivery failure due to customer circumstances.

LTL Delivery Policies

- The driver is only responsible for placing the pallet on the ground for deliveries that had lift gate services selected at the time of check out.
- Address classifications are based on city zoning, therefore it is possible to have a commercial property in a residential area. In this case the delivery would be considered residential, and subject to the residential delivery fees and conditions.
- A responsible party must be present to inspect, inventory, and sign off on the delivery.
 - You MUST notate if the number of pallets delivered does not match the number listed on the driver's delivery receipt copy.
 - Careful inspection of packaging conditions is vital to file freight claims. Any visible damages must be noted on the paperwork when signing for the delivery, as well as documented with photos. Even if you are not sure if the contents inside contain damages due to the exterior's condition, you MUST indicate on the delivery receipt to be able to claim concealed damages in the future.

- Do NOT reject damaged items. The delivery should be accepted, with documentation of the damage, and a claim should be filed online. SEE IMPORTANT NOTES IN MISSING AND DAMAGED ITEMS SECTION TO FOLLOW.
- Regional delivery services are available in select markets. Rates and delivery services vary by market.

Warehouse Pick Up Orders

- Orders must be picked up within **10 business days** of receiving the ready for pick-up email notification.
- After ten business days has passed, storage fees will begin to accumulate as follows:
 - \$25/day per open order
 - Fees will accumulate up to two weeks maxing out at \$250
 - Five weeks after the ready for pickup notification has been sent, the order will be returned back to inventory and refunded less the max \$250 and a 10% restocking fee.
- If storage fees are applied to your order(s), the order(s) will be released for pickup after any fees assessed are paid for in full.
- Orders placed for warehouse pick up are not palletized, wrapped, or strapped for shipping purposes.
 - If you are sending a delivery service that requires secure palletizing of products the order will incur additional packaging & labor fees and must be approved by US Cabinet Depot prior to pick up.
- For liability purposes, US Cabinet Depot will not help load warehouse pick-up orders without approval from the pick-up party.
- Orders must be picked up in safe and compatible condition in accordance to the product and environment. US Cabinet Depot cannot be held liable for damage that occurs due to improper weather or equipment conditions.
- US Cabinet Depot will not accept transit damage claims on warehouse pick-up orders that are picked up and/or shipped with delivery services contracted out at the dealer's discretion.

Replacements for Missing or Damaged Items (Including Concealed Damage)

- US Cabinet Depot has the final determination of resolution for any manufacturer warranty claims submitted. Solutions should be discussed with US Cabinet Depot prior to being promised to the end customer.
- Blemishes or other damages not impacting the structural integrity of a cabinet will not warrant a full cabinet replacement. US Cabinet Depot reserves the right to provide alternative products or components as solutions.
- Freight claims for obvious damage or shortage can only be accepted **when indicated on the delivery receipt.**
- Freight damage claims must be filed within 5 business days. No claims will be allowed without the proper paperwork noting the damage at the time of delivery.
- To file a claim for damage or a shortage, please log into our website and use our damage claim module.
- The following must be included to process the claim:
 - Order number
 - Buyer's name
 - Shipping address for replacements
 - Brief description of damage or shortage, including item numbers and/or parts
 - Pictures of the damaged packaging and product are required to be eligible for full replacement.
- Upon receipt of the damage claim, we will review the request within 48 business hours. Replacements will then be shipped out within 24-48 hours.
- Expedited shipping service is **NOT** available for replacements and/or parts.
- All damages must be documented and reported upon opening the boxes.
- Missing items must be reported within **two weeks** from delivery.
- Concealed damages must be reported within **one month** from delivery.
- Items that have been assembled and installed **cannot** be claimed as damaged.
- **US Cabinet Depot cannot be held responsible for any labor costs accrued during the installation of any of its products sold via any of its channels of distribution. This includes, but is not limited to, items that may be flawed or have become damaged in transit.**

Return Merchandise Authorizations (RMA)

- All returns must be authorized by US Cabinet Depot prior to return shipment.
- For authorization, please send an email request to support@uscabinetdepot.com.
- Returns must be received by US Cabinet Depot within 30 days of purchase.
- All items must be returned in original, unopened packaging, therefore **NO RETURNS ON ASSEMBLED CABINETS.**
- No returns on trims, mouldings, fillers, panels, or sales tools.
- No returns on discontinued cabinet styles.
- QUALIFYING returns will incur a 20% RESTOCKING FEE.
- The customer is responsible for setting up and covering all return shipments.
- Any returned product DEEMED UNSELLABLE **WILL NOT RECEIVE CREDIT.**

Marketing Policies

- US Cabinet Depot cannot be held liable for applicable marketing costs for marketing our products.
- Private labeling is done at the dealer's discretion.
- The use of any images and sales materials in your private label marketing can be released by emailing info@uscabinetdepot.com.

9

Display Policy

US Cabinet Depot is happy to partner with our displaying dealers. We now offer a 50% credit on US Cabinet Depot products that are ordered and installed in a dealer's showroom. Products can only be for display, not for functional use. Desks, bathrooms, breakrooms, etc. are not eligible for rebate. Each dealer can earn up to a total of \$2,500 in credits. The display items must be ordered online, paid in full, and pictures sent to info@uscabinetdepot.com of showroom installation before a credit can be released. Please note: Drop shipped items do not qualify as part of the Display Program.

Third-Party Design Programs

US Cabinet Depot does not guarantee the accuracy of any third-party design software. This includes (but is not limited to) 2020 Design and ProKitchen Design softwares.

Please refer to your dealer portal for accurate information on US Cabinet Depot product specifications and pricing.

Construction

Are your cabinets constructed with solid wood?

Framed Capital Collection

- *Doors & Drawer Fronts* -
 - All stained finished doors, drawer fronts, and frames are constructed from 3/4" solid Birch hardwood. Our Casselberry Saddle style has a solid birch center panel, while our stained Shaker Cinder has a veneered MDF center panel.
 - Our painted styles feature an all HDF door: Shaker White, Shaker Grey, Shaker Dove, Shaker Antique White, Torrance White, and Casselberry Antique White.
- *Cabinet Box* - Our framed cabinet boxes are constructed from solid Birch hardwoods and furniture grade plywood. All materials are CARB2 compliant for standard US restrictions for formaldehyde emissions.
- *Drawer Box* - Our framed cabinetry features four-sided drawer boxes constructed from 5/8" thick solid hardwood, dovetail joints, and a fully captured 3/8" thick plywood floor.

altaeuro Full Access Frameless

- *Doors & Drawer Fronts* -
 - Our Torino style features a fully edge banded, thermofused textured melamine over engineered wood, with a matching back.
 - Our Palermo style features a fully edge banded, high-gloss PET laminate over engineered wood, with a matte melamine back.
 - Our Verona style features a five-piece HDF painted door.
- *Cabinet Box* - Our frameless cabinet boxes are constructed using MDF and furniture grade plywood. All materials are CARB2 compliant for restricted formaldehyde emissions.
- *Drawer Box* - Our frameless cabinetry comes standard with our altamax drawer box. The altamax drawer box is a four-piece construction box complete with 1/2" thick metal sides and 5/8" thick thermofused melamine engineered wood back and floor.

How is the interior of the cabinet finished?

Framed Capital Collection

- Our framed cabinetry comes standard with UV coated natural interiors. Glassdoor "GD" cabinets have interiors that are painted or stained to match the exterior.

altaeuro Full Access Frameless

- Our altaeuro cabinets feature a grey linen thermofused melamine in and out.

Are your cabinets CARB2 certified?

Yes, all US Cabinet Depot products are 100% in compliance with CARB Phase 1 & CARB phase 2 defined guidelines of composite wood products.

Are your cabinets strong enough to support a granite countertop?

Our plywood core construction for all of our cabinets ensures the strength required to support granite, concrete, or any other countertop material that you may select. No additional cabinet reinforcement is required.

Do your cabinets have soft-close doors and drawers?

Soft-close doors and drawers are standard on all of our current cabinet collections (excludes select discontinued styles).

Is a finished panel required for exposed cabinet ends?

Framed Capital Collection

- No, all of our framed cabinets come with finished exteriors.

altaeuro Full Access Frameless

- altaeuro features a standard grey linen thermofused melamine exterior, so panels will be needed to finish the exposed ends.

How much weight can the cabinet drawers hold?

Framed Capital Collection

- Our framed cabinet drawers have a weight capacity of 70 lbs.

altaeuro Full Access Frameless

- Our altamax drawer boxes have the following weight capacities:
 - K-height (5") 88 lbs
 - C-height (6-¾") 132 lbs.

11

Do you sell paint color or stains that match the finishes of the cabinetry you offer?

We do not carry the paint color or stains to sell direct but we have partnered with Sherwin Williams for easy access to purchase our finishes. Simply visit a Sherwin Williams in your area, let them know you are interested in a customer paint color or stain from their National Accounts database under the name 'BGI'. Once the store associate has accessed the account successfully, provide them with the paint color/stain you are looking for: Casselberry Antique White: BGI-CW, Casselberry Saddle: BGI-CS, Torrance White: BGI-TW, Shaker White: BGI-SW, Shaker Antique White: BGI-SA, Shaker Dove: BGI-SD, Shaker Grey: BGI-SG, Shaker Cinder: BGI-SC.

Retail locations can accomplish matching any paint color for your projects however, paint color/stains are only recommended for smaller items such as trims & mouldings. For an accurate match for larger items, you will need to contact a Sherwin Williams Professional Coatings Group.

Ordering

What forms of payment do you accept?

We accept all major credit cards (Visa, American Express, MasterCard, and Discover), debit card & PayPal.

How can I check the status of my order?

You can view the progress of your orders by logging onto your account and selecting 'My Order' under the 'My Account' dropdown menu. The order status will be displayed next to your order as well as any tracking information if the order has shipped.

Do you offer credit terms?

We currently do not offer any sort of credit terms to our customers. All orders must be paid in full prior to processing and shipping any orders.

What is your return policy?

We do accept returns in certain circumstances. Please see the 'Return Merchandise Authorizations (RMA)' section of our Terms & Conditions for details.

Delivery

How do you ship your cabinetry?

Most orders will be shipped on a pallet via an LTL (Less than Truckload) carrier. Some smaller items may ship through a small parcel carrier.

How long will it take to receive my cabinets?

Flatpack Orders

- Flatpack orders are processed and shipped out of our facilities within 3 full business days depending on the service chosen during checkout. Transit time to your location can vary from 1-6 business days depending on your location and the services required at delivery. (Backorders are exempt from normal lead times.)

Assembled Orders

- Standard assembled orders are processed and shipped within 15 full business days. Transit time to your location can vary from 1-6 business days depending on your location and the services required at delivery. (Backorders and modification orders are exempt from normal lead times.)

What if my delivery includes damaged cabinets?

If your order is received damaged, please notate any damages with the freight company on the delivery receipt when accepting the delivery and take photos of the damaged items. Most importantly, do not refuse the shipment. Submit a claim online with the photos of the damages or send them immediately to support@uscabinetdepot.com. US Cabinet Depot will review and replace damaged pieces in a timely manner.

Limited Lifetime Warranty

Brothers Global Inc warrants to the original consumer purchaser that US Cabinet Depot cabinetry, door hinges, and drawer glides will be free from defects in material and workmanship under normal use and service for the lifetime of the product (Proof of Purchase is required). This warranty is not transferable and only applicable to product used for residential purposes. Representatives of US Cabinet Depot do not have the authority to change or enlarge this warranty.

This warranty does not cover normal wear and tear, damage or defects caused by accidents, misuse, abuse, or lack of necessary maintenance; nor does it cover alteration, modification, improper installation, improper handling / storage, environmental conditions, nor any labor expenses.

Brothers Global Inc., at our option, may elect to repair or replace with a functionally equivalent product any US Cabinet Depot product covered by this warranty. Some replacement parts are subject to availability and may differ from original parts received. Return of defective product may be required for a replacement to be issued. Repair parts or replacement parts are at the expense of Brothers Global Inc., but customer shall bear all other expenses. These expenses may include, but are not limited to, cost of removal and re-installation of product, labor expenses, etc.

Just as no two trees are alike, no two pieces of wood are alike. The variation in color and grain pattern in wood adds to its natural beauty and is not considered an imperfection. Environmental factors, including but not limited to artificial / natural light, moisture, cleaners, smoke, etc, may cause the darkening or mellowing of a cabinet over time. This is a natural process and can be expected. This warranty does not cover the natural aging or darkening / mellowing of wood color, the inherent growth characteristics of, or variation in wood.

Some of the cabinet lines feature a glazed finish which accentuates the door and drawer front profiles. This glaze is hand applied over a stain or paint and may, due to the nature of application, consist of random drips, runs, etc. As glazing is a hand applied process, there will be variations in color and appearance from door to door and cabinet to cabinet. This is not considered a defect and is considered normal with hand applied finishes. It is the nature of wood to expand and contract to varying degrees depending on climate conditions. As a result, cabinet lines with painted surfaces may show fractures in the paint at joints. This is normal and is not considered a defect.

This warranty is valid only in the United States of America and Canada and is not transferable. All implied warranties are limited in duration to the shorter of the period provided by law or the period of this warranty. To the extent permitted by law, this warranty excludes special, incidental, or consequential damages. Some states do not allow the exclusion or limitations of incidental or consequential damages or limitations on how long an implied warranty lasts, so the above limitations or exclusions may not apply to you. This warranty gives you specific legal rights; you may have other rights which vary from state to state. To exercise this warranty, please contact the US Cabinet Depot supplier from whom you purchased the product. Report, in writing, to support@uscabinetdepot.com all defects claimed and include proof of purchase documentation.

TORINO

(*Specifications subject to change without notice)



**WHITE PINE
(TWP)**



**GREY WOOD
(TGW)**



**DARK WOOD
(TDW)**

- Frameless Full Access Construction
- Horizontal Textured Melamine Woodgrain Engineered Wood Slab Front with Matching Back
- Universal 18mm Plywood Composite Cabinet Box with a Grey Linen Thermofused Melamine Inside & Out
- **altamax** Full Extension Soft-Close Orion Grey Drawer Box
- **optishelf** Full Depth 18mm Adjustable Shelf with Full Edge Banding
- Hettich Sensys Adjustable 110° Soft-Close Hinges
- **easylevel** Leg System

VERONA

LIMITED RELEASE (CONTACT YOUR USCD REP FOR DETAILS)

(*Specifications subject to change without notice)



PURE BLANC
(VPB)



STORM GREY
(VSG)

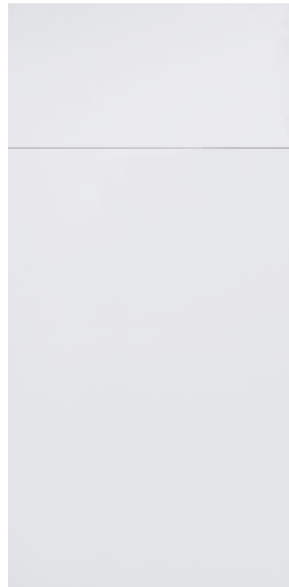


MIDNIGHT NAVY
(VMN)

- Frameless Full Access Construction
- Five Piece Painted HDF Door
- Universal 18mm Plywood Composite Cabinet Box with a Grey Linen Thermofused Melamine Inside & Out
- **altamax** Full Extension Soft-Close Orion Grey Drawer Box
- **optishelf** Full Depth 18mm Adjustable Shelf with Full Edge Banding
- Hettich Sensys Adjustable 110° Soft-Close Hinges
- **easylevel** Leg System

PALERMO

(*Specifications subject to change without notice)



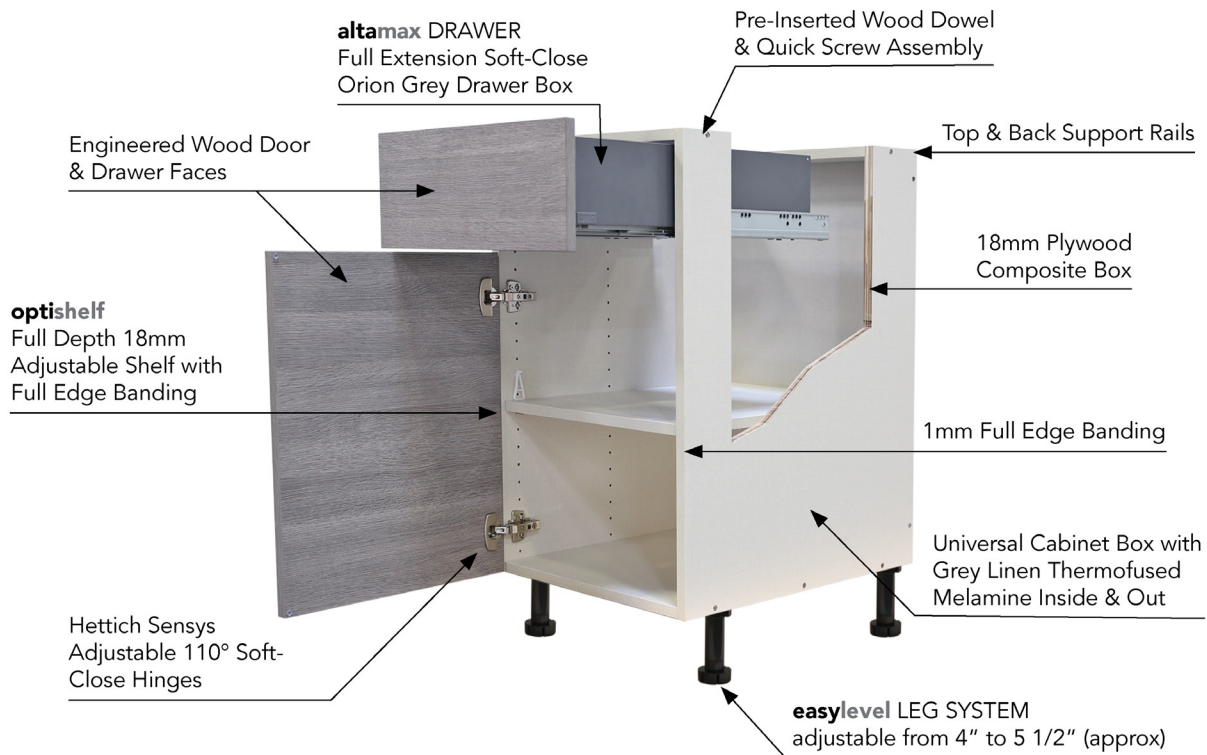
GLOSS WHITE (PGW)

- Frameless Full Access Construction
- High Gloss PET Laminate Engineered Wood Slab Front With White Melamine Back
- Universal 18mm Plywood Composite Cabinet Box with a Grey Linen Thermofused Melamine Inside & Out
- **altamax** Full Extension Soft-Close Orion Grey Drawer Box
- **optishelf** Full Depth 18mm Adjustable Shelf with Full Edge Banding
- Hettich Sensys Adjustable 110° Soft-Close Hinges
- **easylevel** Leg System

17

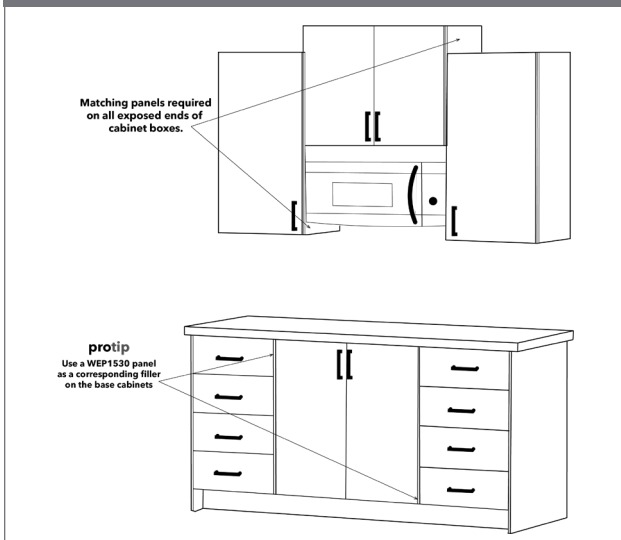
CONSTRUCTION SPECIFICATIONS

(*Specifications subject to change without notice)



18

FIG 1.1: FINISHED SIDE PANELS



Our **altaeuro** frameless cabinet boxes feature a universal grey linen box color in and out. When designing with **altaeuro**, a 3/4" panel is required anytime there is an exposed end. Remember to also use a panel next to appliances or when varying cabinet heights are used.

protip - To align the wall and base cabinets, use a WEP1530 (cut in half) as a filler on the base cabinets to correspond with the panels on the wall cabinets. See FIG 1.1

Frameless side panels are oversized and designed to be trimmed down in order to come flush with the door front, giving an inset appearance.

When using in an island or peninsula application, the finished panel should be flush with the back panel and door/drawer front. See FIG 1.2

FIG 1.2: FINISHED SIDE PANELS

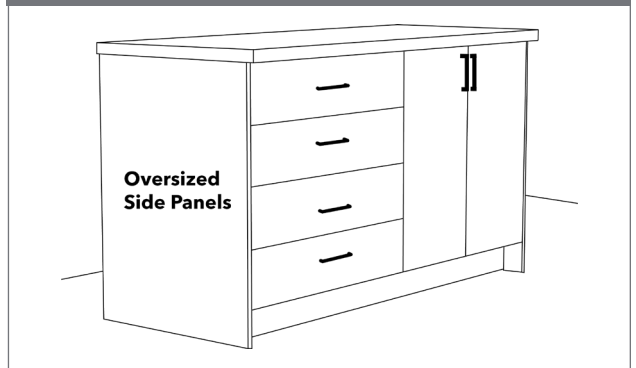
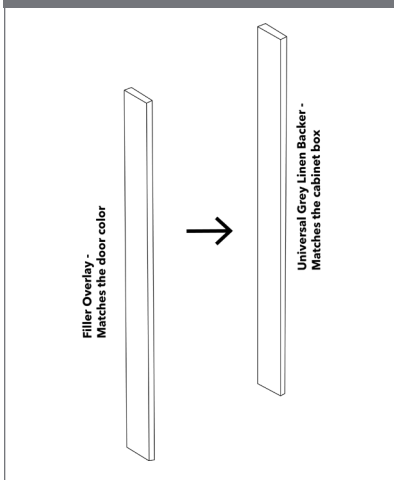


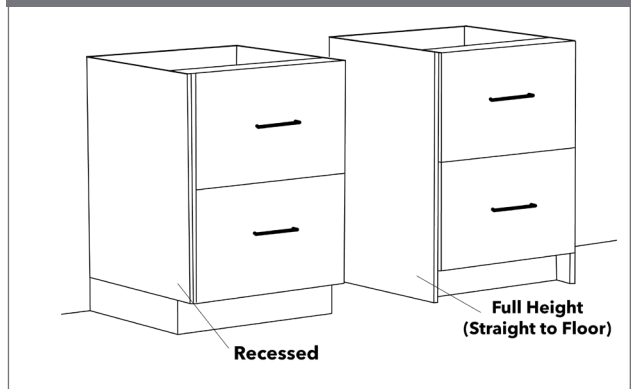
FIG 2: FILLERS



Our **altaeuro** fillers include a backer and separate front overlay piece. The backer is the same grey linen color as the cabinet box, and the overlay filler matches the door material. See FIG 2

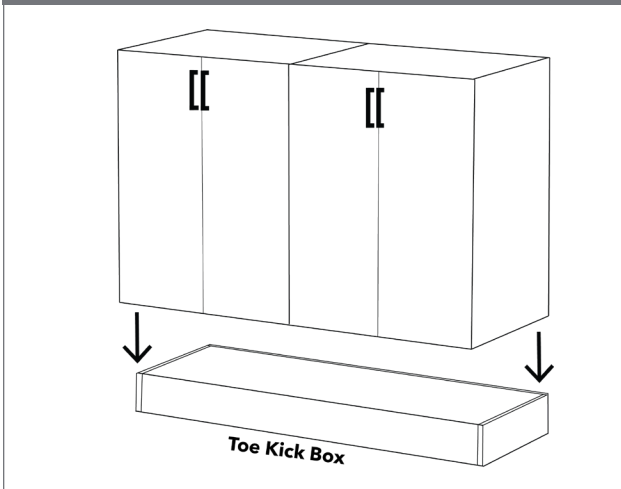
Frameless base end panels can either be installed with a recessed 4-1/2"H toe kick, or they can be used at full height and placed directly onto the floor. See FIG 3

FIG 3: END PANEL INSTALLATION TYPES



*To maintain the contemporary style of our **altaeuro** line, we offer Wall Easy Reach cabinets and a full range of Blind Corner cabinets as a clean-lined alternative to a diagonal corner.

FIG 4: TOE KICK BOX

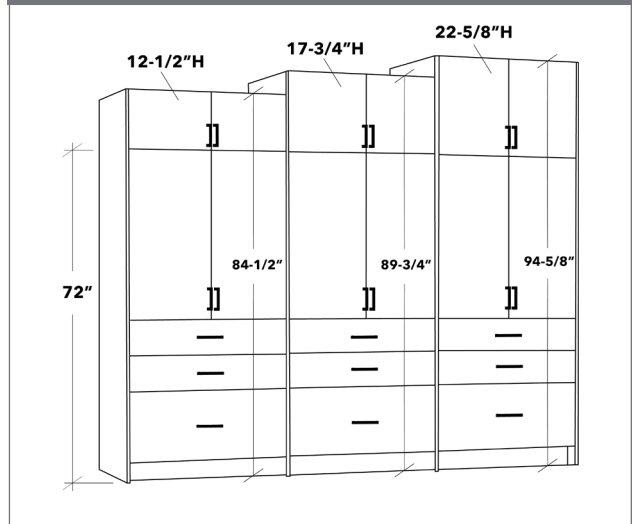


When designing islands and peninsulas, it is not recommended to use the adjustable legs at the base of the cabinetry, as this can cause slipping. To ensure stability, a **toe kick box** can be secured to the floor, then the cabinets can be attached to the toe kick box frame. See FIG 4

Our **altaeuro tall cabinets** feature a 72" H standardized box. To reach the desired overall height of either 84, 89 or 94"* , a wall cabinet can be stacked on top of the tall utility box.

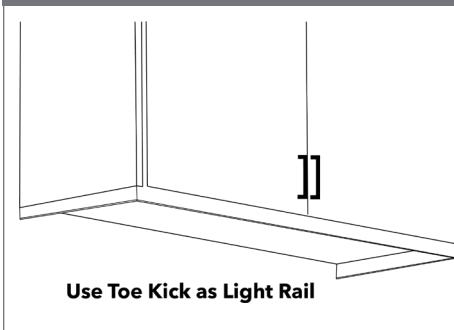
Our 24" deep wall cabinets are available in heights of 12, 18 or 23". See FIG 5

FIG 5: UTILITY CABINETS



20

FIG 6: LIGHT RAIL

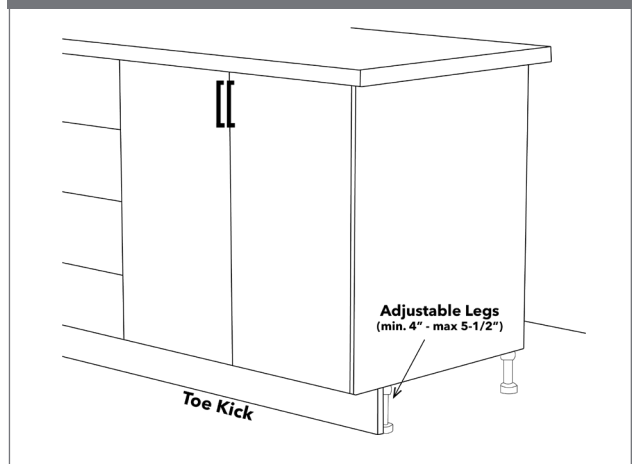


To construct a light rail, utilize toe kick molding with the light strip tucked behind.

The toe kick can be cut down to the desired length and height. See FIG 6

altaeuro base cabinets are designed without an integrated toe kick. The cabinets come with adjustable legs, and the toe kick can be attached onto the front of the legs. See FIG 7

FIG 7: ADJUSTABLE LEGS



*Refer to specifications for exact heights and depths, as **altaeuro** does not use standard sizes on most cabinets, fillers and panels.

Limited Release (Contact Your USCD Rep for Details)

Cabinet SKU	Weight	Torino White Pine (TWP) Torino Grey Wood (TGW) Torino Dark Wood (TDW)	Verona Pure Blanc (VPB) Verona Storm Grey (VSG)	Verona Midnight Navy (VMN)	Palermo Gloss White (PGW)
Full Height One Door Bases					
BPO6FH	49	\$913	\$944	\$944	\$944
BPO9FH	62	\$807	\$851	\$851	\$851
BPO12FH	70	\$856	\$916	\$916	\$916
BT9FH	45	\$377	\$421	\$421	\$421
B12FH	51	\$417	\$477	\$477	\$477
B15FH	55	\$463	\$539	\$539	\$539
B18FH	61	\$509	\$601	\$601	\$601
B21FH	67	\$554	\$662	\$662	\$662
B24SFH	74	\$600	\$724	\$724	\$724
Base Cabinet Pullouts (Accessory Only)					
UB09-PO	10	\$452	\$452	\$452	\$452
UB12-PO	10	\$461	\$461	\$461	\$461
WB18	12	\$949	\$949	\$949	\$949
Full Height Two Door Bases					
B24FH	73	\$626	\$746	\$746	\$746
B27FH	80	\$666	\$806	\$806	\$806
B30FH	83	\$713	\$865	\$865	\$865
B33FH	89	\$754	\$926	\$926	\$926
B36FH	95	\$802	\$986	\$986	\$986
B42FH	106	\$892	\$1,108	\$1,108	\$1,108
altamax One Door One Drawer Bases					
B12	65	\$694	\$752	\$752	\$752
B15	71	\$749	\$824	\$824	\$824
B18	77	\$805	\$894	\$894	\$894
B21	85	\$860	\$966	\$966	\$966
B24S	88	\$914	\$1,036	\$1,036	\$1,036
altamax Two Door One Drawer Bases					
B24	89	\$937	\$1,057	\$1,057	\$1,057
B27	99	\$990	\$1,126	\$1,126	\$1,126
B30	105	\$1,045	\$1,196	\$1,196	\$1,196
B33	112	\$1,100	\$1,266	\$1,266	\$1,266
B36	118	\$1,152	\$1,333	\$1,333	\$1,333
altamax Two Drawer Bases					
2DB12	84	\$1,051	\$1,109	\$1,109	\$1,109
2DB15	92	\$1,119	\$1,189	\$1,189	\$1,189
2DB18	101	\$1,184	\$1,270	\$1,270	\$1,270
2DB21	110	\$1,249	\$1,351	\$1,351	\$1,351
2DB24	112	\$1,316	\$1,434	\$1,434	\$1,434
2DB27	126	\$1,378	\$1,514	\$1,514	\$1,514
2DB30	137	\$1,443	\$1,593	\$1,593	\$1,593
2DB33	146	\$1,508	\$1,672	\$1,672	\$1,672
2DB36	155	\$1,572	\$1,754	\$1,754	\$1,754
2DB42	172	\$1,702	\$1,914	\$1,914	\$1,914

Limited Release (Contact Your USCD Rep for Details)

Cabinet SKU	Weight	Torino White Pine (TWP) Torino Grey Wood (TGW) Torino Dark Wood (TDW)	Verona Pure Blanc (VPB) Verona Storm Grey (VSG)	Verona Midnight Navy (VMN)	Palermo Gloss White (PGW)
altamax Two Drawer Bases with One Inner Drawer					
2DBID12	97	\$1,305	\$1,363	\$1,363	\$1,363
2DBID15	107	\$1,387	\$1,457	\$1,457	\$1,457
2DBID18	117	\$1,478	\$1,564	\$1,564	\$1,564
2DBID21	127	\$1,550	\$1,652	\$1,652	\$1,652
2DBID24	127	\$1,662	\$1,780	\$1,780	\$1,780
2DBID27	146	\$1,734	\$1,870	\$1,870	\$1,870
2DBID30	158	\$1,807	\$1,957	\$1,957	\$1,957
2DBID33	168	\$1,881	\$2,045	\$2,045	\$2,045
2DBID36	178	\$1,955	\$2,137	\$2,137	\$2,137
altamax Two Drawer Bases with Two Inner Drawers					
2DB2ID12	97	\$1,559	\$1,617	\$1,617	\$1,617
2DB2ID15	107	\$1,655	\$1,725	\$1,725	\$1,725
2DB2ID18	117	\$1,772	\$1,858	\$1,858	\$1,858
2DB2ID21	127	\$1,851	\$1,953	\$1,953	\$1,953
2DB2ID24	127	\$2,008	\$2,126	\$2,126	\$2,126
2DB2ID27	146	\$2,090	\$2,226	\$2,226	\$2,226
2DB2ID30	158	\$2,171	\$2,321	\$2,321	\$2,321
2DB2ID33	168	\$2,254	\$2,418	\$2,418	\$2,418
2DB2ID36	178	\$2,338	\$2,520	\$2,520	\$2,520
altamax Three Drawer Bases					
3DB12	95	\$1,280	\$1,333	\$1,333	\$1,333
3DB15	105	\$1,354	\$1,423	\$1,423	\$1,423
3DB18	113	\$1,430	\$1,513	\$1,513	\$1,513
3DB21	124	\$1,504	\$1,603	\$1,603	\$1,603
3DB24	123	\$1,577	\$1,692	\$1,692	\$1,692
3DB27	140	\$1,648	\$1,780	\$1,780	\$1,780
3DB30	152	\$1,724	\$1,869	\$1,869	\$1,869
3DB33	161	\$1,796	\$1,958	\$1,958	\$1,958
3DB36	171	\$1,870	\$2,047	\$2,047	\$2,047
altamax Four Drawer Bases					
4DB12	105	\$1,509	\$1,557	\$1,557	\$1,557
4DB15	117	\$1,589	\$1,657	\$1,657	\$1,657
4DB18	126	\$1,676	\$1,756	\$1,756	\$1,756
4DB21	138	\$1,759	\$1,855	\$1,855	\$1,855
4DB24	134	\$1,838	\$1,950	\$1,950	\$1,950
4DB27	154	\$1,918	\$2,046	\$2,046	\$2,046
4DB30	167	\$2,005	\$2,145	\$2,145	\$2,145
4DB33	176	\$2,084	\$2,244	\$2,244	\$2,244
4DB36	188	\$2,168	\$2,340	\$2,340	\$2,340
Full Height One Door Sink Base					
SB24SFH	60	\$520	\$644	\$644	\$644
Full Height Two Door Sink Bases					
SB24FH	61	\$546	\$666	\$666	\$666
SB27FH	65	\$578	\$718	\$718	\$718
SB30FH	67	\$613	\$765	\$765	\$765
SB33FH	71	\$649	\$815	\$815	\$815
SB36FH	75	\$683	\$867	\$867	\$867

Limited Release (Contact Your USCD Rep for Details)

Cabinet SKU	Weight	Torino White Pine (TWP) Torino Grey Wood (TGW) Torino Dark Wood (TDW)	Verona Pure Blanc (VPB) Verona Storm Grey (VSG)	Verona Midnight Navy (VMN)	Palermo Gloss White (PGW)
Sink Base False Front One Door					
SB24S	60	\$522	\$644	\$644	\$644
Sink Base False Front Two Door					
SB24	61	\$545	\$665	\$665	\$665
SB27	65	\$580	\$716	\$716	\$716
SB30	68	\$614	\$765	\$765	\$765
SB33	72	\$649	\$815	\$815	\$815
SB36	75	\$683	\$864	\$864	\$864
Farm Sink Bases					
FSB30	68	\$612	\$766	X	\$766
FSB33	72	\$741	\$1,011	X	\$1,011
FSB36	75	\$681	\$867	\$867	\$867
altamax Two Drawer Range Bases					
RB2DB24	99	\$1,236	\$1,354	\$1,354	\$1,354
RB2DB27	112	\$1,290	\$1,426	\$1,426	\$1,426
RB2DB30	121	\$1,343	\$1,493	\$1,493	\$1,493
RB2DB33	128	\$1,397	\$1,561	\$1,561	\$1,561
RB2DB36	135	\$1,453	\$1,635	\$1,635	\$1,635
altamax Two Drawer Range Bases with One False Front					
RB3DB24	95	\$1,185	\$1,300	\$1,300	\$1,300
RB3DB27	107	\$1,238	\$1,370	\$1,370	\$1,370
RB3DB30	116	\$1,293	\$1,438	\$1,438	\$1,438
RB3DB33	121	\$1,345	\$1,507	\$1,507	\$1,507
RB3DB36	129	\$1,401	\$1,578	\$1,578	\$1,578
altamax Three Drawer Range Bases with One False Front					
RB4DB24	106	\$1,446	\$1,558	\$1,558	\$1,558
RB4DB27	121	\$1,508	\$1,636	\$1,636	\$1,636
RB4DB30	130	\$1,574	\$1,714	\$1,714	\$1,714
RB4DB33	136	\$1,633	\$1,793	\$1,793	\$1,793
RB4DB36	146	\$1,699	\$1,871	\$1,871	\$1,871
Full Height One Door Blind Bases					
BBC37/40FH	88	\$744	\$836	X	\$935
BBC40/43FH	93	\$789	\$897	X	\$996
BBC43/46FH	98	\$832	\$956	X	\$1,055
BBC46/49FH	95	\$799	\$986	X	\$986
BBC49/52SFH	111	\$923	\$1,079	X	\$1,178
Full Height Two Door Blind Bases					
BBC49/52FH	110	\$949	\$1,101	X	\$1,200
BBC52/55FH	108	\$914	\$1,133	X	\$1,133
Base Easy Reach Cabinets					
BER33	138	\$1,068	\$1,202	\$1,202	\$1,156
BER36	158	\$1,211	\$1,376	\$1,376	\$1,330
LSB33	142	\$2,600	\$2,734	\$2,734	\$2,688
LSB36	169	\$1,942	\$2,107	\$2,107	\$2,061
Lazy Susan for Base Easy Reach (Accessory Only)					
ULSB33KIT	10	\$1,686	\$1,686	\$1,686	\$1,686
UBER36-Tray	10	\$913	\$913	\$913	\$913
altamax Base Microwave Cabinets					
BMW30	111	\$1,056	\$1,207	\$1,207	\$1,207

Limited Release (Contact Your USCD Rep for Details)

Cabinet SKU	Weight	Torino White Pine (TWP) Torino Grey Wood (TGW) Torino Dark Wood (TDW)	Verona Pure Blanc (VPB) Verona Storm Grey (VSG)	Verona Midnight Navy (VMN)	Palermo Gloss White (PGW)
One Door Desk Bases					
DDO12	29	\$375	\$421	\$421	\$421
DDO15	33	\$421	\$479	\$479	\$479
DDO18	36	\$468	\$537	\$537	\$537
DDO24S	47	\$562	\$656	\$656	\$656
Two Door Desk Bases					
DDO24	45	\$585	\$677	\$677	\$677
DDO30	55	\$677	\$793	\$793	\$793
DDO33	60	\$725	\$851	\$851	\$851
DDO36	62	\$771	\$909	\$909	\$909
altamax Two Drawer Desk Bases					
DDR2DB12	59	\$961	\$1,002	\$1,002	\$1,002
DDR2DB15	67	\$1,026	\$1,078	\$1,078	\$1,078
DDR2DB18	72	\$1,093	\$1,156	\$1,156	\$1,156
DDR2DB24	80	\$1,225	\$1,312	\$1,312	\$1,312
DDR2DB30	102	\$1,356	\$1,466	\$1,466	\$1,466
DDR2DB33	109	\$1,421	\$1,543	\$1,543	\$1,543
DDR2DB36	115	\$1,489	\$1,623	\$1,623	\$1,623
altamax Three Drawer Desk Bases					
DDR3DB12	70	\$1,190	\$1,226	\$1,226	\$1,226
DDR3DB15	77	\$1,261	\$1,312	\$1,312	\$1,312
DDR3DB18	82	\$1,339	\$1,399	\$1,399	\$1,399
DDR3DB24	85	\$1,486	\$1,570	\$1,570	\$1,570
DDR3DB30	108	\$1,637	\$1,742	\$1,742	\$1,742
DDR3DB33	114	\$1,709	\$1,829	\$1,829	\$1,829
DDR3DB36	120	\$1,787	\$1,916	\$1,916	\$1,916
13.5" Deep Wall Cabinets					
W2412	29	\$273	\$325	X	\$325
W3012	35	\$318	\$384	X	\$384
W3312	38	\$340	\$412	X	\$412
W3612	41	\$362	\$440	X	\$440
W2415	32	\$297	\$359	X	\$359
W3015	38	\$342	\$420	X	\$420
W3315	41	\$366	\$451	X	\$451
W3615	44	\$390	\$483	X	\$483
W2418	36	\$318	\$392	X	\$392
W3018	42	\$369	\$459	X	\$459
W3318	44	\$393	\$492	X	\$492
W3618	48	\$421	\$529	\$0	\$529
W1223	29	\$244	\$290	\$290	\$290
W1523	33	\$278	\$336	\$336	\$336
W1823	36	\$311	\$380	\$380	\$380
W2123	41	\$345	\$427	\$427	\$427
W2423S	45	\$379	\$473	\$473	\$473
W2423	46	\$402	\$494	\$494	\$494
W2723	51	\$436	\$540	\$540	\$540
W3023	54	\$470	\$586	\$586	\$586
W3323	59	\$505	\$631	\$631	\$631
W3623	88	\$537	\$675	\$675	\$675

24

Limited Release (Contact Your USCD Rep for Details)

Cabinet SKU	Weight	Torino White Pine (TWP) Torino Grey Wood (TGW) Torino Dark Wood (TDW)	Verona Pure Blanc (VPB) Verona Storm Grey (VSG)	Verona Midnight Navy (VMN)	Palermo Gloss White (PGW)
24" Deep Wall Cabinets					
W121224	27	\$232	\$258	X	\$258
W151224	31	\$262	\$295	X	\$295
W181224	35	\$293	\$332	X	\$332
W241224	42	\$379	\$431	X	\$431
W301224	50	\$440	\$506	X	\$506
W331224	54	\$472	\$544	X	\$544
W361224	58	\$502	\$580	X	\$580
W361524	60	\$531	\$624	X	\$624
W121824	33	\$277	\$314	X	\$314
W151824	37	\$311	\$356	X	\$356
W181824	41	\$346	\$400	X	\$400
W241824	50	\$436	\$510	X	\$510
W301824	59	\$506	\$596	X	\$596
W331824	62	\$635	\$833	X	\$833
W361824	67	\$575	\$683	X	\$683
W362024	77	\$703	\$841	X	\$841
W122324	43	\$360	\$406	X	\$406
W152324	48	\$406	\$464	X	\$464
W182324	54	\$453	\$522	X	\$522
W242324S	66	\$547	\$641	X	\$641
W242324	67	\$570	\$662	X	\$662
W302324	77	\$662	\$778	X	\$778
W332324	84	\$710	\$836	X	\$836
W362324	88	\$756	\$894	X	\$894
30" High Wall Cabinets					
W0930	32	\$270	\$314	\$314	\$314
W1230	37	\$314	\$374	\$374	\$374
W1530	42	\$357	\$433	\$433	\$433
W1830	48	\$401	\$493	\$493	\$493
W2130	53	\$443	\$551	\$551	\$551
W2430S	59	\$487	\$611	\$611	\$611
W2430	60	\$513	\$633	\$633	\$633
W2730	65	\$553	\$693	\$693	\$693
W3030	69	\$599	\$751	\$751	\$751
W3330	75	\$637	\$809	\$809	\$809
W3630	80	\$686	\$870	\$870	\$870
35" High Wall Cabinets					
W0935	35	\$309	\$363	X	\$363
W1235	41	\$355	\$427	X	\$427
W1535	47	\$402	\$493	X	\$493
W1835	52	\$448	\$556	X	\$556
W2135	58	\$494	\$622	X	\$622
W2435	66	\$576	\$720	X	\$720
W2735	71	\$620	\$784	X	\$784
W3035	77	\$668	\$850	X	\$850
W3335	83	\$716	\$916	X	\$916
W3635	89	\$763	\$979	X	\$979

Limited Release (Contact Your USCD Rep for Details)

Cabinet SKU	Weight	Torino White Pine (TWP) Torino Grey Wood (TGW) Torino Dark Wood (TDW)	Verona Pure Blanc (VPB) Verona Storm Grey (VSG)	Verona Midnight Navy (VMN)	Palermo Gloss White (PGW)
40" High Wall Cabinets					
W0940	41	\$354	\$415	X	\$415
W1240	47	\$406	\$490	X	\$490
W1540	54	\$462	\$565	X	\$565
W1840	61	\$516	\$641	X	\$641
W2140	68	\$571	\$716	X	\$716
W2440	76	\$659	\$827	X	\$827
W2740	82	\$714	\$902	X	\$902
W3040	89	\$769	\$975	X	\$975
W3340	97	\$826	\$1,052	X	\$1,052
W3640	104	\$879	\$1,129	X	\$1,129
Blum Aventos Flip Up Door Wall Cabinets					
WFD2412-BLUM	34	\$621	\$672	X	\$672
WFD2712-BLUM	37	\$644	\$702	X	\$702
WFD3012-BLUM	40	\$667	\$731	X	\$731
WFD3312-BLUM	42	\$688	\$760	X	\$760
WFD3612-BLUM	44	\$710	\$788	X	\$788
WFD2415-BLUM	36	\$644	\$705	X	\$705
WFD2715-BLUM	40	\$668	\$738	X	\$738
WFD3015-BLUM	42	\$690	\$768	X	\$768
WFD3315-BLUM	45	\$714	\$800	X	\$800
WFD3615-BLUM	48	\$738	\$832	X	\$832
WFD2418-BLUM	39	\$666	\$739	X	\$739
WFD2718-BLUM	42	\$690	\$773	X	\$773
WFD3018-BLUM	45	\$734	\$825	X	\$825
WFD3318-BLUM	48	\$759	\$859	X	\$859
WFD3618-BLUM	51	\$786	\$894	X	\$894
WFD241224-BLUM	47	\$727	\$778	X	\$778
WFD301224-BLUM	55	\$789	\$853	X	\$853
WFD331224-BLUM	58	\$820	\$892	X	\$892
WFD361224-BLUM	61	\$850	\$928	X	\$928
WFD361524-BLUM	64	\$879	\$973	X	\$973
WFD241824-BLUM	53	\$784	\$857	X	\$857
WFD301824-BLUM	62	\$871	\$962	X	\$962
WFD331824-BLUM	66	\$905	\$1,005	X	\$1,005
WFD361824-BLUM	70	\$940	\$1,048	X	\$1,048

Limited Release (Contact Your USCD Rep for Details)

Cabinet SKU	Weight	Torino White Pine (TWP) Torino Grey Wood (TGW) Torino Dark Wood (TDW)	Verona Pure Blanc (VPB) Verona Storm Grey (VSG)	Verona Midnight Navy (VMN)	Palermo Gloss White (PGW)
Wall Corner Cabinets					
WBC24/2730	60	\$510	\$633	X	\$633
WBC27/3030	65	\$553	\$692	X	\$692
WBC30/3330	70	\$597	\$752	X	\$752
WBC33/3630	76	\$731	\$994	X	\$994
WBC36/3930	81	\$683	\$870	X	\$870
WBC24/2735	65	\$574	\$719	X	\$719
WBC27/3035	70	\$619	\$782	X	\$782
WBC30/3335	76	\$666	\$848	X	\$848
WBC33/3635	82	\$714	\$913	X	\$913
WBC36/3935	88	\$759	\$978	X	\$978
WBC24/2740	76	\$660	\$826	X	\$826
WBC27/3040	82	\$713	\$902	X	\$902
WBC30/3340	89	\$768	\$976	X	\$976
WBC33/3640	96	\$823	\$1,053	X	\$1,053
WBC36/3940	103	\$878	\$1,128	X	\$1,128
WER2430	64	\$742	\$899	X	\$853
WER2435	67	\$831	\$1,032	X	\$963
WER2440	72	\$979	\$1,224	X	\$1,155
Tall Two Door Open Utility Cabinets					
T1272	90	\$873	\$985	X	\$985
T1572	98	\$948	\$1,096	X	\$1,096
T1872	106	\$1,025	\$1,206	X	\$1,206
T2472S	125	\$1,193	\$1,449	X	\$1,449
Tall Four Door Open Utility Cabinet					
T2472	127	\$1,268	\$1,492	X	\$1,492
Tall Two Door Utility Cabinets with Shelves					
TB1272FH	111	\$1,023	\$1,135	X	\$1,135
TB1572FH	127	\$1,140	\$1,288	X	\$1,288
TB1872FH	139	\$1,251	\$1,432	X	\$1,432
TB2472SFH	165	\$1,479	\$1,735	X	\$1,735
Tall Four Door Utility Cabinets with Shelves					
TB2472FH	167	\$1,554	\$1,778	X	\$1,778
TB3072FH	194	\$1,762	\$2,058	X	\$2,058
altamax Tall Two Door One Drawer Utility Cabinets					
TB1272	125	\$1,338	\$1,472	X	\$1,472
TB1572	143	\$1,426	\$1,573	X	\$1,573
TB1872	155	\$1,614	\$1,861	X	\$1,861
TB2472S	180	\$1,793	\$2,047	X	\$2,047
altamax Tall Four Door One Drawer Utility Cabinets					
TB2472	182	\$1,865	\$2,089	X	\$2,089
TB3072	215	\$2,038	\$2,275	X	\$2,275
altamax Tall One Door Two Drawer Utility Cabinets					
T2DB1272	134	\$1,582	\$1,692	X	\$1,692
T2DB1572	150	\$1,656	\$1,798	X	\$1,798
T2DB1872	163	\$1,813	\$1,988	X	\$1,988
T2DB2472S	184	\$2,052	\$2,302	X	\$2,302

Limited Release (Contact Your USCD Rep for Details)

Cabinet SKU	Weight	Torino White Pine (TWP) Torino Grey Wood (TGW) Torino Dark Wood (TDW)	Verona Pure Blanc (VPB) Verona Storm Grey (VSG)	Verona Midnight Navy (VMN)	Palermo Gloss White (PGW)
altamax Tall Two Door Two Drawer Utility Cabinets					
T2DB2472	185	\$2,101	\$2,323	X	\$2,323
T2DB3072	222	\$2,305	\$2,599	X	\$2,599
altamax Tall One Door Two Drawer with One Inner Drawer Utility Cabinets					
T2DBID1272	148	\$1,836	\$1,946	X	\$1,946
T2DBID1572	165	\$2,004	\$2,146	X	\$2,146
T2DBID1872	179	\$2,107	\$2,282	X	\$2,282
T2DBID2472S	199	\$2,398	\$2,648	X	\$2,648
altamax Tall Two Door Two Drawer with One Inner Drawer Utility Cabinets					
T2DBID2472	200	\$2,447	\$2,669	X	\$2,669
T2DBID3072	242	\$2,669	\$2,963	X	\$2,963
altamax Tall One Door Three Drawer Utility Cabinets					
T3DB1272	145	\$1,811	\$1,916	X	\$1,916
T3DB1572	162	\$1,935	\$2,076	X	\$2,076
T3DB1872	175	\$2,059	\$2,231	X	\$2,231
T3DB2472S	195	\$2,313	\$2,560	X	\$2,560
altamax Tall Two Door Three Drawer Utility Cabinets					
T3DB2472	195	\$2,362	\$2,581	X	\$2,581
T3DB3072	236	\$2,586	\$2,875	X	\$2,875
altamax Tall One Door Four Drawer Utility Cabinets					
T4DB1272	156	\$2,040	\$2,140	X	\$2,140
T4DB1572	175	\$2,090	\$2,230	X	\$2,230
T4DB1872	188	\$2,305	\$2,474	X	\$2,474
T4DB2472S	180	\$2,574	\$2,818	X	\$2,818
altamax Tall Two Door Four Drawer Utility Cabinets					
T4DB2472	206	\$2,623	\$2,839	X	\$2,839
T4DB3072	251	\$2,867	\$3,151	X	\$3,151
Tall Single Oven Full Height Two Door Utility Cabinet					
TOS3072FH	126	\$1,206	\$1,608	X	\$1,608
altamax Tall Single Oven Two Door One Drawer Utility Cabinet					
TOSB3072	148	\$1,484	\$1,760	X	\$1,760
altamax Tall Single Oven Two Drawer Utility Cabinet					
TOS2DB3072	148	\$1,882	\$2,157	X	\$2,157
altamax Tall Single Oven Two Drawer One Inner Drawer Utility Cabinet					
TOS2DBID3072	201	\$2,246	\$2,521	X	\$2,521
altamax Tall Single Oven Three Drawer Utility Cabinet					
TOS3DB3072	195	\$2,163	\$2,433	X	\$2,433
altamax Tall Single Oven Four Drawer Utility Cabinet					
TOS4DB3072	210	\$2,444	\$2,709	X	\$2,709
altamax Tall Double Oven One Drawer Utility Cabinet					
TOD3072	146	\$1,401	\$1,581	X	\$1,581
Full Height One Door Vanity Bases					
VB12FH	46	\$384	\$444	\$444	\$444
VB15FH	51	\$427	\$503	\$503	\$503
VB18FH	56	\$469	\$561	\$561	\$561
altamax One Door One Drawer Vanity Bases					
VB12	58	\$637	\$695	\$695	\$695
VB15	65	\$688	\$763	\$763	\$763
VB18	70	\$737	\$826	\$826	\$826

28

Limited Release (Contact Your USCD Rep for Details)

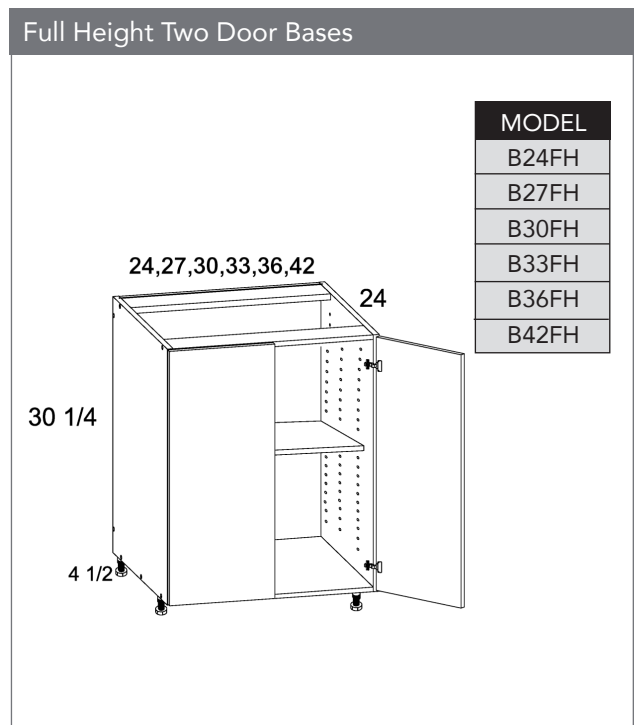
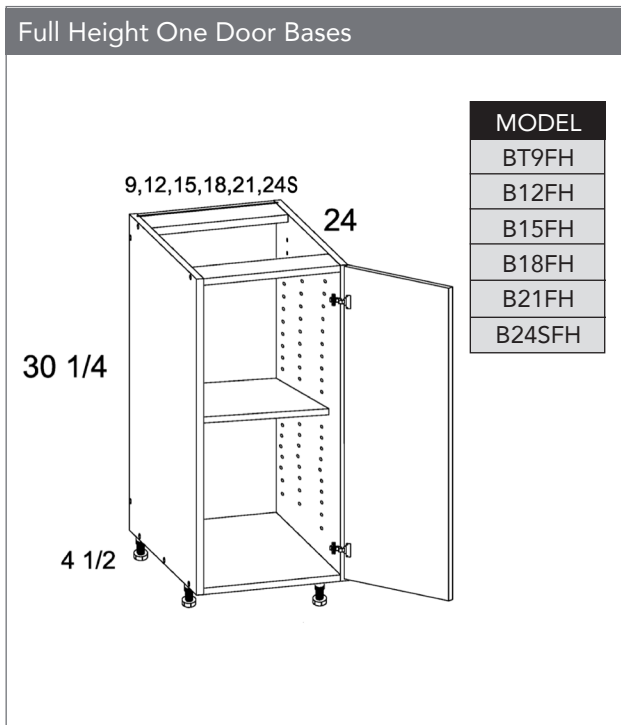
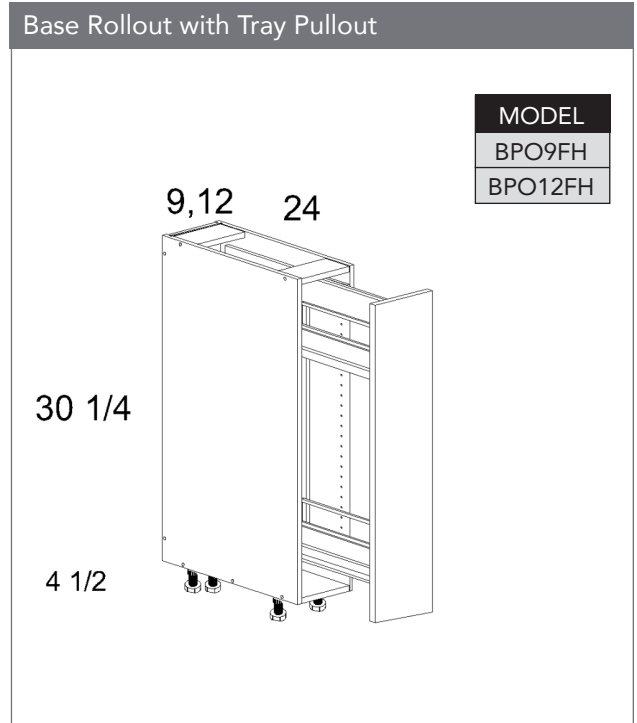
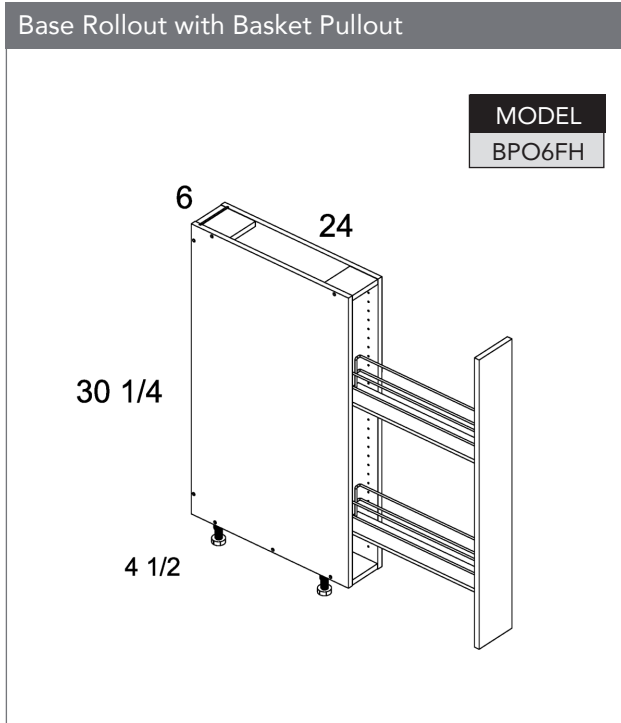
Cabinet SKU	Weight	Torino White Pine (TWP) Torino Grey Wood (TGW) Torino Dark Wood (TDW)	Verona Pure Blanc (VPB) Verona Storm Grey (VSG)	Verona Midnight Navy (VMN)	Palermo Gloss White (PGW)
altamax Two Drawer Vanity Bases					
2VDB12	78	\$920.00	\$978.00	\$978.00	\$978.00
2VDB15	86	\$979.00	\$1,049.00	\$1,049.00	\$1,049.00
2VDB18	94	\$1,036.00	\$1,122.00	\$1,122.00	\$1,122.00
altamax Two Drawer with One Inner Drawer Vanity Bases					
2VDBID12	91	\$1,175.00	\$1,233.00	\$1,233.00	\$1,233.00
2VDBID15	100	\$1,249.00	\$1,319.00	\$1,319.00	\$1,319.00
2VDBID18	108	\$1,328	\$1,414	\$1,414	\$1,414
altamax Three Drawer Vanity Bases					
3VDB12	87	\$1,150	\$1,203	\$1,203	\$1,203
3VDB15	96	\$1,194	\$1,246	\$1,246	\$1,246
3VDB18	103	\$1,280	\$1,363	\$1,363	\$1,363
altamax Four Drawer Vanity Bases					
4VDB12	96	\$1,380	\$1,428	\$1,428	\$1,428
4VDB15	106	\$1,453	\$1,521	\$1,521	\$1,521
4VDB18	113	\$1,524	\$1,604	\$1,604	\$1,604
Full Height One Door Vanity Sink Base					
VSB24SFH	60	\$490	\$614	\$614	\$614
Full Height Double Door Vanity Sink Bases					
VSB24FH	61	\$516	\$636	\$636	\$636
VSB27FH	65	\$546	\$686	\$686	\$686
VSB30FH	68	\$591	\$743	\$743	\$743
VSB33FH	72	\$620	\$792	\$792	\$792
VSB36FH	75	\$659	\$843	\$843	\$843
Vanity Sink Base False Front One Door					
VSB24S	60	\$492	\$614	\$614	\$614
Vanity Sink Base False Front Two Door					
VSB24	61	\$515	\$635	\$635	\$635
VSB27	65	\$548	\$684	\$684	\$684
VSB30	68	\$592	\$743	\$743	\$743
VSB33	72	\$626	\$792	\$792	\$792
VSB36	75	\$659	\$840	\$840	\$840
altamax Vanity Knee Drawers					
VKD27	41	\$584	\$616	\$616	\$616
VKD30	45	\$622	\$657	\$657	\$657
VKD36	51	\$689	\$732	\$732	\$732

Limited Release (Contact Your USCD Rep for Details)

Cabinet SKU	Weight	Torino White Pine (TWP) Torino Grey Wood (TGW) Torino Dark Wood (TDW)	Verona Pure Blanc (VPB) Verona Storm Grey (VSG)	Verona Midnight Navy (VMN)	Palermo Gloss White (PGW)
Mouldings					
ACM8	3	X	\$225	X	X
LACM8	8	X	\$396	X	X
MCVE8	6	X	\$420	X	X
LCVE8	8	X	\$546	X	X
MPF1	3	X	\$299	X	X
MPF6	11	X	\$560	X	X
SPM2	4	X	\$182	X	X
OCM8	2	\$44	\$140	\$140	\$64
BM8	7	\$37	\$55	\$55	\$55
SM8	2	\$37	\$55	\$55	\$55
SHM8	2	X	\$112	\$112	X
TKC	7	\$51	\$168	\$168	\$64
TKC-PVC	4	\$43	\$43	\$43	\$43
CORNER-PVC	1	\$3	\$3	\$3	\$3
FBM8	9	X	\$227	\$227	X
Panels & Fillers					
AF3006	4	\$54	\$179	X	\$179
OF323	2	\$22	\$33	\$33	\$33
OF330	2	\$26	\$42	\$42	\$42
OF335	4	\$34	\$51	X	\$51
OF340	3	\$38	\$58	X	\$58
OF384	5	\$74	\$117	X	\$117
OF389	3	\$80	\$125	X	\$125
OF394	5	\$84	\$131	X	\$131
OF630	6	\$56	\$86	\$86	\$86
OF635	11	\$64	\$100	X	\$100
OF640	6	\$70	\$114	X	\$114
OF684	11	\$148	\$236	X	\$236
OF689	6	\$156	\$250	X	\$250
OF694	12	\$166	\$265	X	\$265
BEP2535	18	\$150	\$306	\$306	\$306
BP9642	68	\$659	\$1,700	\$1,700	\$1,368
WEP1523	7	\$56	X	X	\$116
WEP1530	10	\$76	\$155	X	\$155
WEP1535	11	\$88	\$179	X	\$179
WEP1540	13	\$101	\$206	X	\$206
TEP3096	50	\$464	\$956	X	\$956
Accessories					
FS36	17	\$209	\$321	X	\$321
FS48	23	\$261	\$439	X	\$439
FS60	27	\$309	\$504	X	\$504
TUK	1	\$76	\$76	\$76	\$76
EB10	1	\$11	X	X	\$11

30

PRODUCT SPECIFICATIONS



PRODUCT SPECIFICATIONS

One Door One Drawer Bases

MODEL
B12
B15
B18
B21
B24S

Two Door One Drawer Bases

MODEL
B24
B27
B30
B33
B36

Two Drawer Bases

MODEL
2DB12
2DB15
2DB18
2DB21
2DB24
2DB27
2DB30
2DB33
2DB36
2DB42

Two Drawer Bases with One Inner Drawer

MODEL
2DBID12
2DBID15
2DBID18
2DBID21
2DBID24
2DBID27
2DBID30
2DBID33
2DBID36

PRODUCT SPECIFICATIONS

Two Drawer Bases with Two Inner Drawers

MODEL
2DB2ID12
2DB2ID15
2DB2ID18
2DB2ID21
2DB2ID24
2DB2ID27
2DB2ID30
2DB2ID33
2DB2ID36

Three Drawer Bases

MODEL
3DB12
3DB15
3DB18
3DB21
3DB24
3DB27
3DB30
3DB33
3DB36

Four Drawer Bases

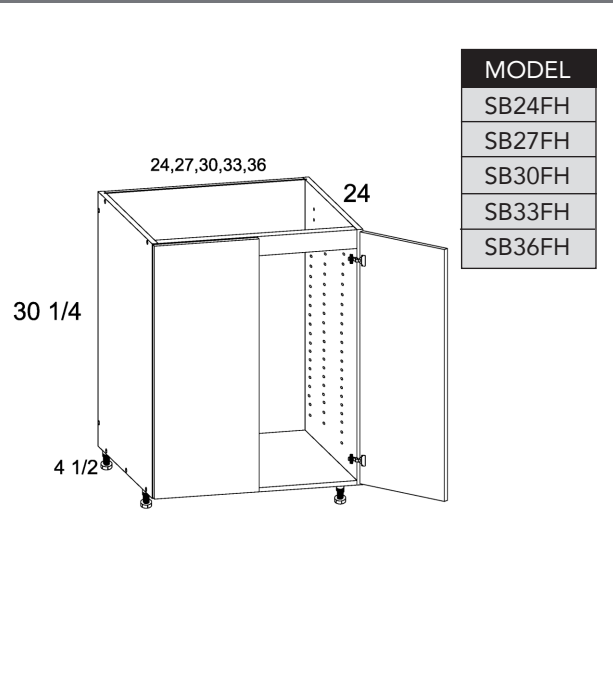
MODEL
4DB12
4DB15
4DB18
4DB21
4DB24
4DB27
4DB30
4DB33
4DB36

Full Height One Door Sink Bases

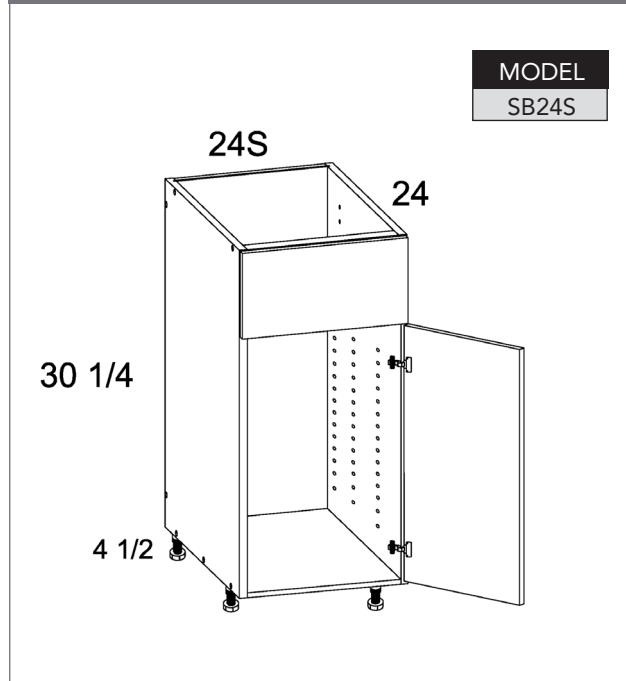
MODEL
SB24SFH

PRODUCT SPECIFICATIONS

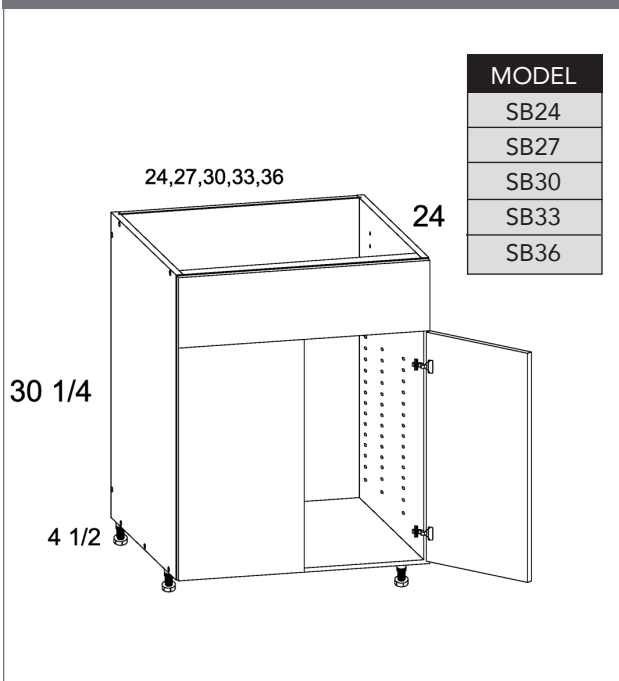
Full Height Two Door Sink Bases



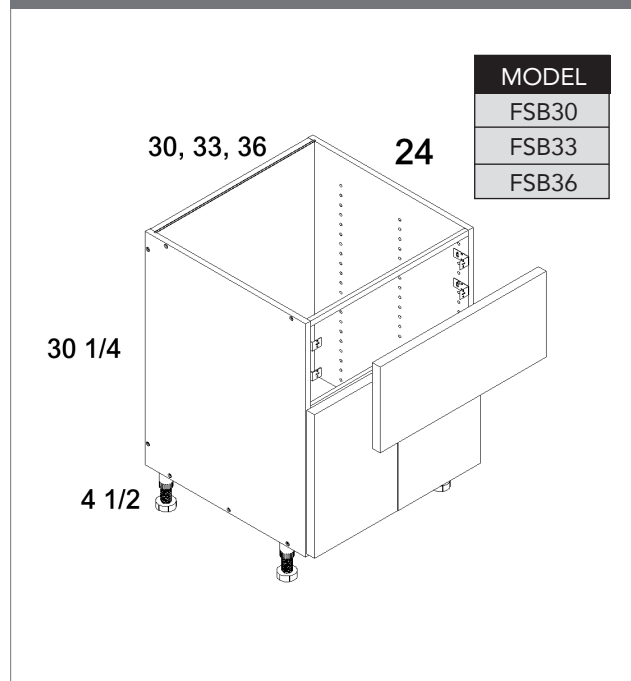
One Door with False Front Sink Bases



Two Door with False Front Sink Bases



Farm Sink Bases



PRODUCT SPECIFICATIONS

Two Drawer Range Bases

MODEL
RB2DB24
RB2DB27
RB2DB30
RB2DB33
RB2DB36

Two Drawer with False Front Range Bases

MODEL
RB3DB24
RB3DB27
RB3DB30
RB3DB33
RB3DB36

Three Drawer with False Front Range Bases

MODEL
RB4DB24
RB4DB27
RB4DB30
RB4DB33
RB4DB36

Full Height One Door Blind Bases

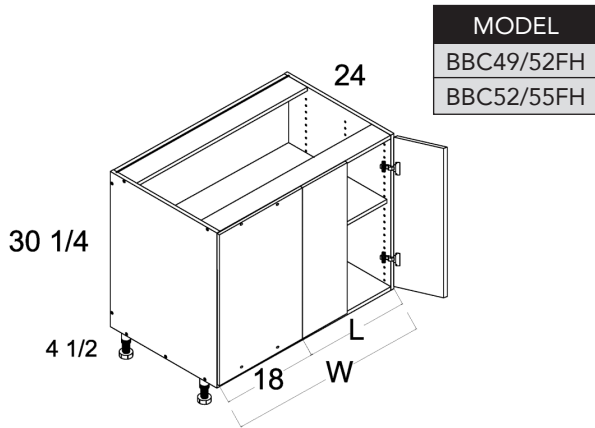
MODEL
BBC37/40FH
BBC40/43FH
BBC43/46FH
BBC46/49FH
BBC49/52SFH

CABINET	MIN.	MAX.	CODE	W	L
BBC37/40FH	37	40	BBC37/40FH	30	12
BBC40/43FH	40	43	BBC40/43FH	33	15
BBC43/46FH	43	46	BBC43/46FH	36	18
BBC46/49FH	46	49	BBC46/49FH	36	21
BBC49/52SFH	49	52	BBC49/52FH	42	24

Filler required to join to adjacent cabinet (purchased separately).

PRODUCT SPECIFICATIONS

Full Height Two Door Blind Bases

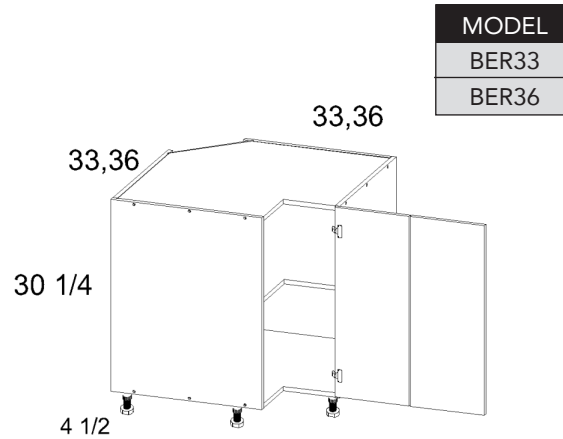


CABINET PULL CHART

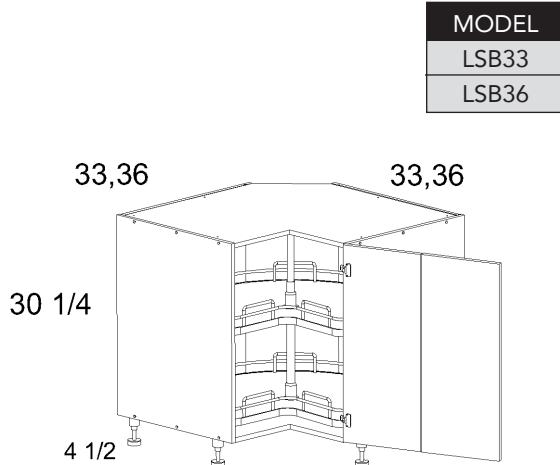
CABINET	MIN.	MAX.	CODE	W	L
BBC49/52FH	49	52	BBC49/52	42	24
BBC52/55FH	52	55	BBC52/55	45	27

Filler required to join to adjacent cabinet (purchased separately).

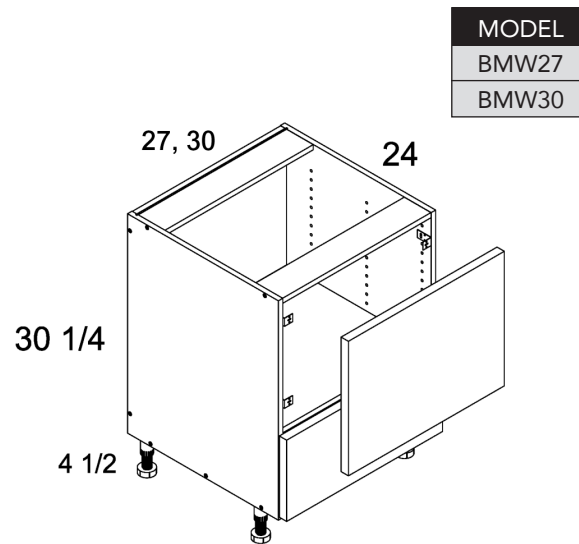
Base Easy Reach



Base Easy Reach with Lazy Susan Tray



Microwave Bases



PRODUCT SPECIFICATIONS

Full Height One Door Desk Bases

MODEL
DDO12
DDO15
DDO18
DDO24S

Full Height Two Door Desk Bases

MODEL
DDO24
DDO30
DDO33
DDO36

Two Drawer Desk Bases

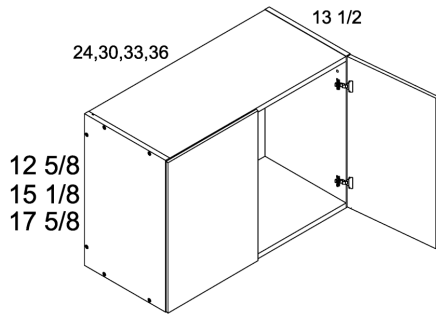
MODEL
DDR2DB12
DDR2DB15
DDR2DB18
DDR2DB24
DDR2DB30
DDR2DB33
DDR2DB36

Three Drawer Desk Bases

MODEL
DDR3DB12
DDR3DB15
DDR3DB18
DDR3DB24
DDR3DB30
DDR3DB33
DDR3DB36

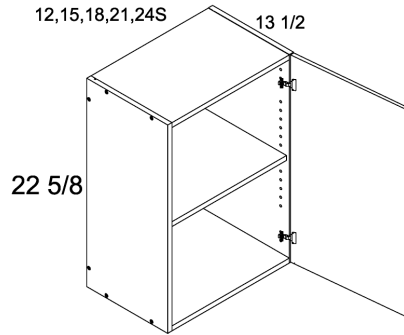
PRODUCT SPECIFICATIONS

Two Door 13.5" Deep Stacker Wall Cabinets



MODEL
W2412
W3012
W3312
W3612
W2415
W3015
W3315
W3615
W2418
W3018
W3318
W3618

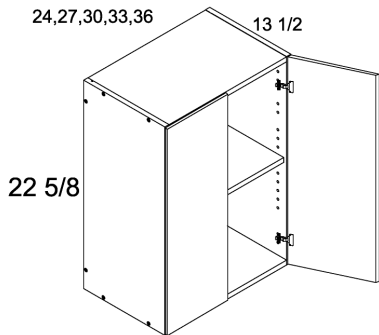
One Door 13.5" Deep Stacker Wall Cabinets



MODEL
W1223
W1523
W1823
W2123
W2423S

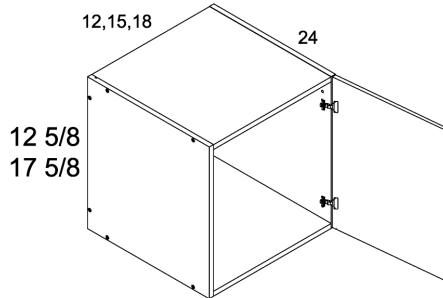
38

Two Door 13.5" Deep Stacker Wall Cabinets



MODEL
W2423
W2723
W3023
W3323
W3623

One Door 24" Deep Stacker Wall Cabinets



MODEL
W121224
W151224
W181224
W121824
W151824
W181824

PRODUCT SPECIFICATIONS

Two Door 24" Deep Stacker Wall Cabinets

MODEL
W241224
W301224
W331224
W361224
W361524
W241824
W301824
W331824
W361824
W362024

One Door 24" Deep Stacker Wall Cabinets

MODEL
W122324
W152324
W182324
W242324S

Two Door 24" Deep Stacker Wall Cabinets

MODEL
W242324
W302324
W332324
W362324

One Door 30" High Wall Cabinets

MODEL
W0930
W1230
W1530
W1830
W2130
W2430S

PRODUCT SPECIFICATIONS

Two Door 30" High Wall Cabinets

MODEL
W2430
W2730
W3030
W3330
W3630

One Door 35" High Wall Cabinets

MODEL
W0935
W1235
W1535
W1835
W2135

Two Door 35" High Wall Cabinets

MODEL
W2435
W2735
W3035
W3335
W3635

One Door 40" High Wall Cabinets

MODEL
W0940
W1240
W1540
W1840
W2140

PRODUCT SPECIFICATIONS

Two Door 40" High Wall Cabinets

24,27,30,33,36

13 1/2

40 1/4

MODEL
W2440
W2740
W3040
W3340
W3640

13.5" Deep Flip Up Wall Cabinets

24,27,30,33,36

12 5/8
15 1/8
17 5/8

13 1/2

MODEL
WFD2412
WFD2712
WFD3012
WFD3312
WFD3612
WFD2415
WFD2715
WFD3015
WFD3315
WFD3615
WFD2418
WFD2718
WFD3018
WFD3318
WFD3618

24" Deep Flip Up Wall Cabinets

24,30,33,36

12 5/8
15 1/8
17 5/8

24

MODEL
WFD241224
WFD241824
WFD301224
WFD301824
WFD331224
WFD331824
WFD361224
WFD361524
WFD361824

Wall Blind Corner Cabinets

24,30,33,36

12 5/8
15 1/8
17 5/8

24

30 1/4
35 1/4
40 1/4

13 1/2

15

W

L

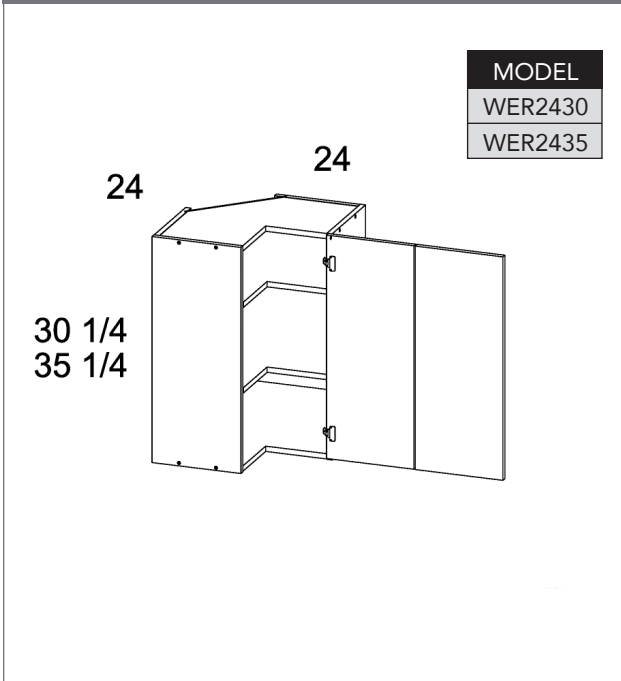
MODEL
WBC24/2730
WBC27/3030
WBC30/3330
WBC33/3630
WBC36/3930
WBC24/2735
WBC27/3035
WBC30/3335
WBC33/3635
WBC36/3935
WBC24/2740
WBC27/3040
WBC30/3340
WBC33/3640
WBC36/3940

CABINET PULL CHART					
CABINET	MIN.	MAX.	CODE	W	L
WBC24/27	24	27	WBC24/27	24	9
WBC27/30	27	30	WBC27/30	27	12
WBC30/33	30	33	WBC30/33	30	15
WBC33/36	33	36	WBC33/36	33	18
WBC36/39	36	39	WBC36/39	36	21

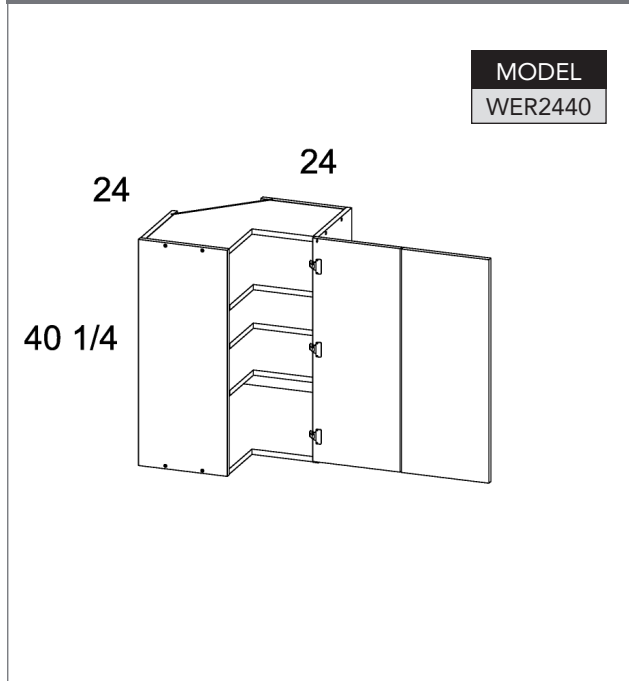
Filler required to join to adjacent cabinet (purchased separately).

PRODUCT SPECIFICATIONS

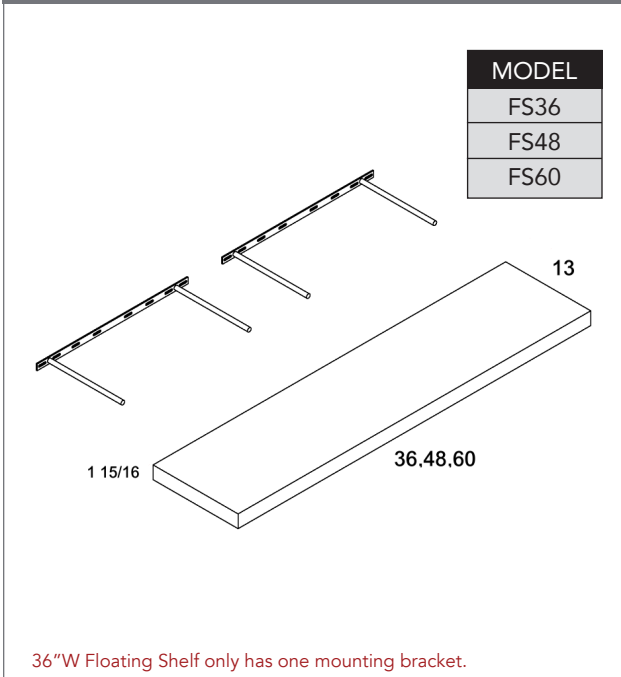
Wall Easy Reach Corner Cabinets



Wall Easy Reach Corner Cabinets



Specialty Walls - Floating Shelves



PRODUCT SPECIFICATIONS

Tall Two Door Open Utility

MODEL
T1272
T1572
T1872
T2472S

Tall Four Door Open Utility

MODEL
T2472

Tall Two Door Utility with Shelves

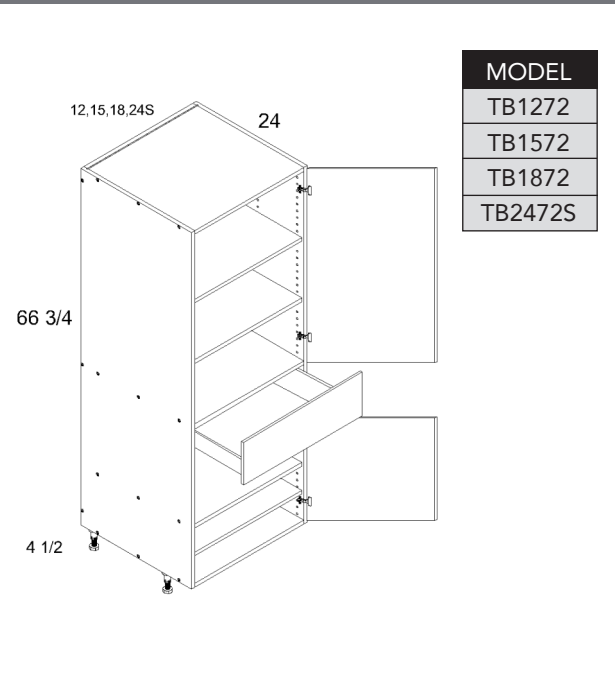
MODEL
TB1272FH
TB1572FH
TB1872FH
TB2472SFH

Tall Four Door Utility with Shelves

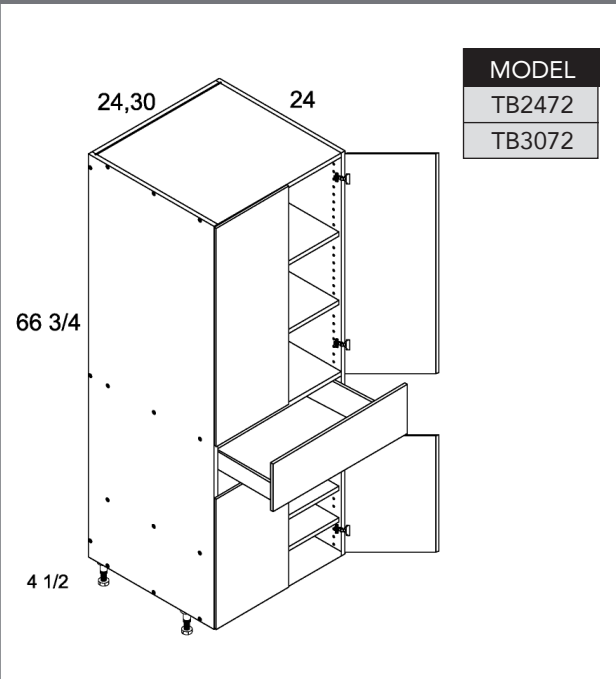
MODEL
TB2472FH
TB3072FH

PRODUCT SPECIFICATIONS

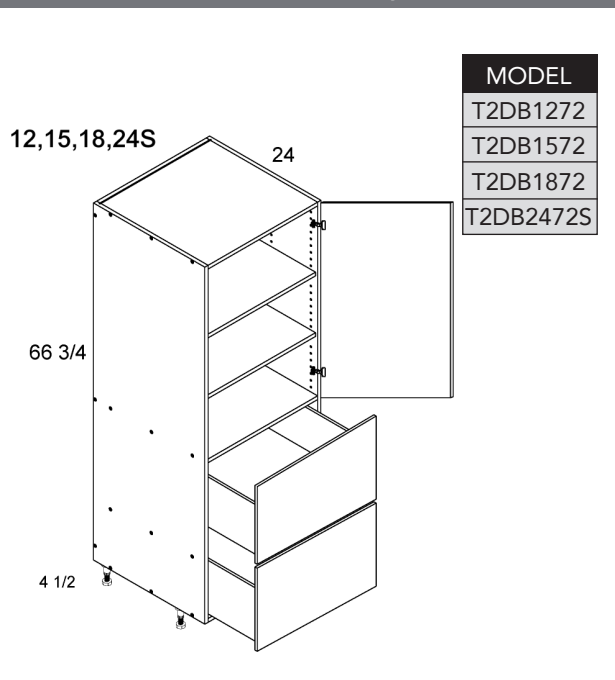
Tall Two Door One Drawer Utility



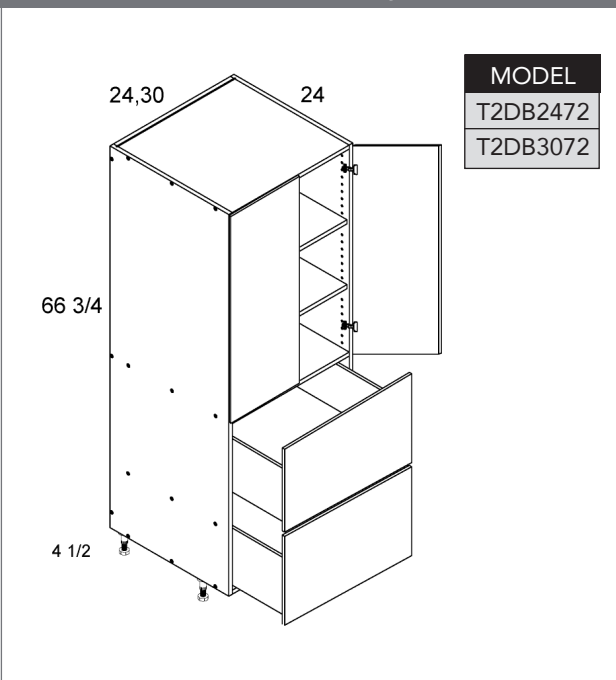
Tall Four Door One Drawer Utility



Tall One Door Two Drawer Utility



Tall Two Door Two Drawer Utility



PRODUCT SPECIFICATIONS

Tall One Door Two Drawer with One Inner Drawer Utility

MODEL
T2DBID1272
T2DBID1572
T2DBID1872
T2DBID2472S

Tall Two Door Two Drawer with One Inner Drawer Utility

MODEL
T2DBID2472
T2DBID3072

Tall One Door Three Drawer Utility

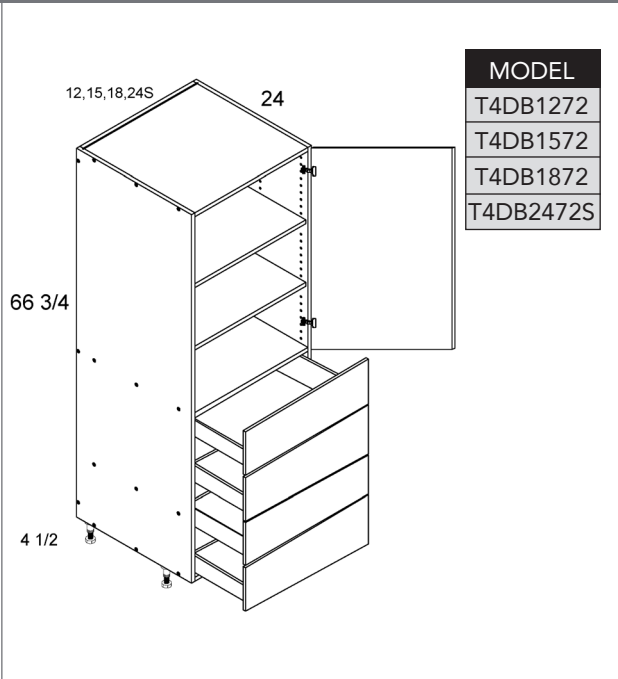
MODEL
T3DB1272
T3DB1572
T3DB1872
T3DB2472S

Tall Two Door Three Drawer Utility

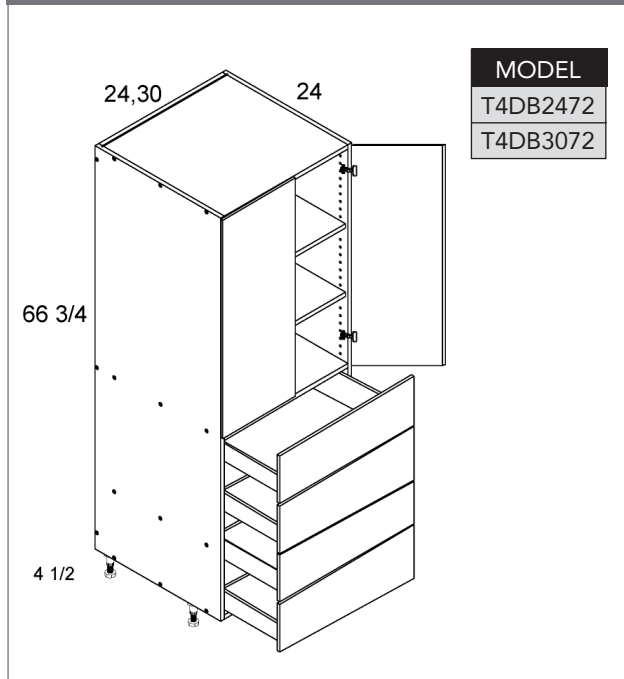
MODEL
T3DB2472
T3DB3072

PRODUCT SPECIFICATIONS

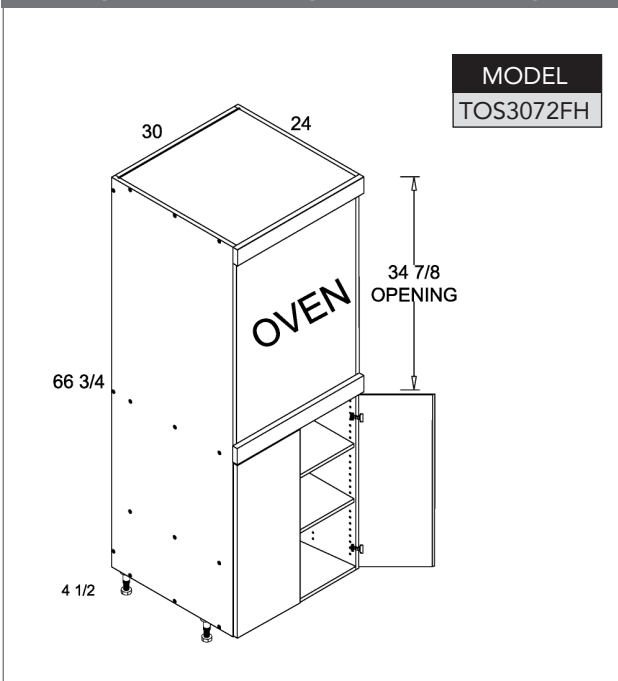
Tall One Door Four Drawer Utility



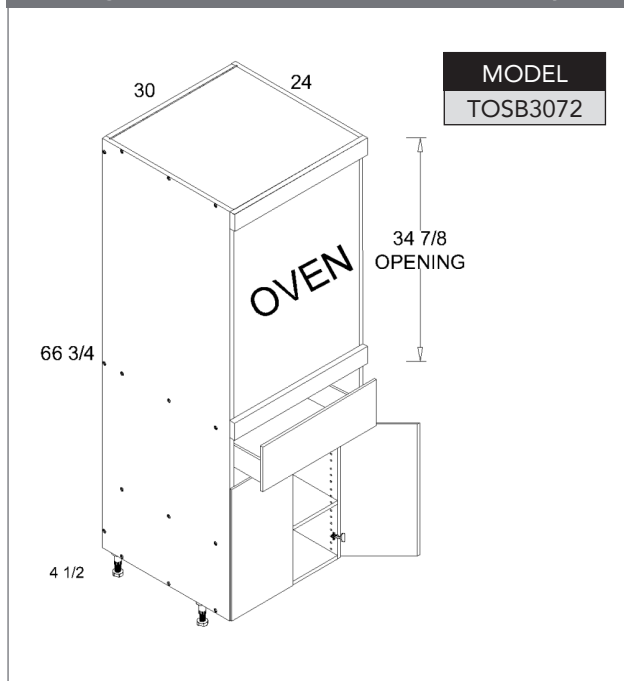
Tall Two Door Four Drawer Utility



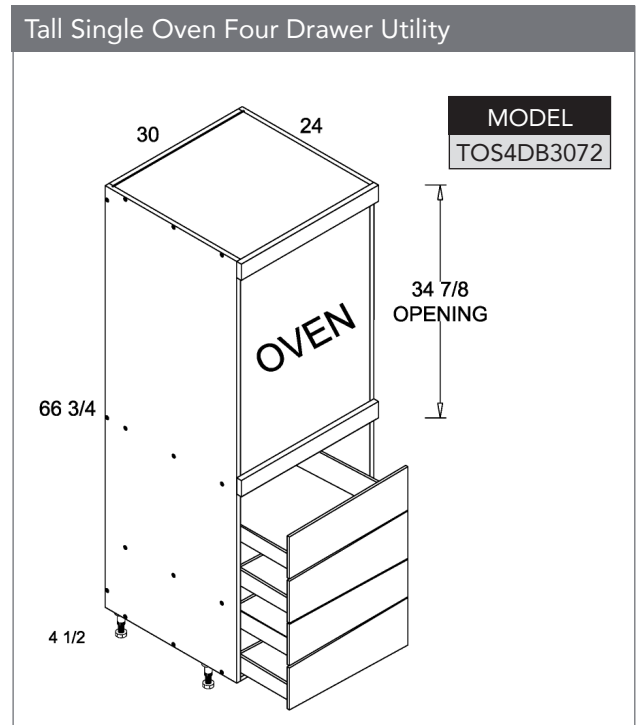
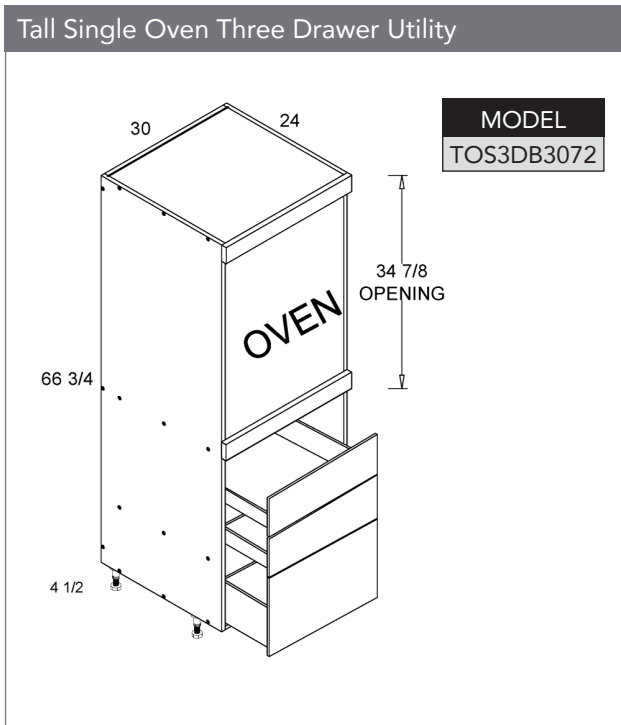
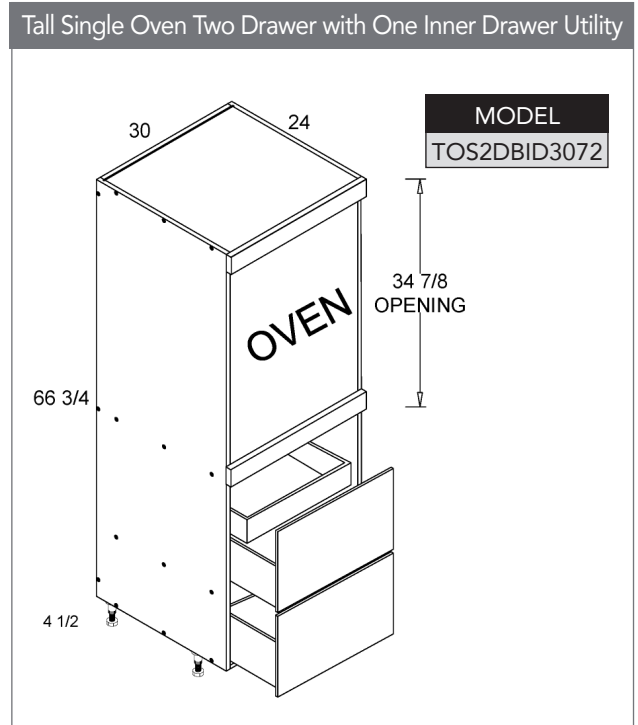
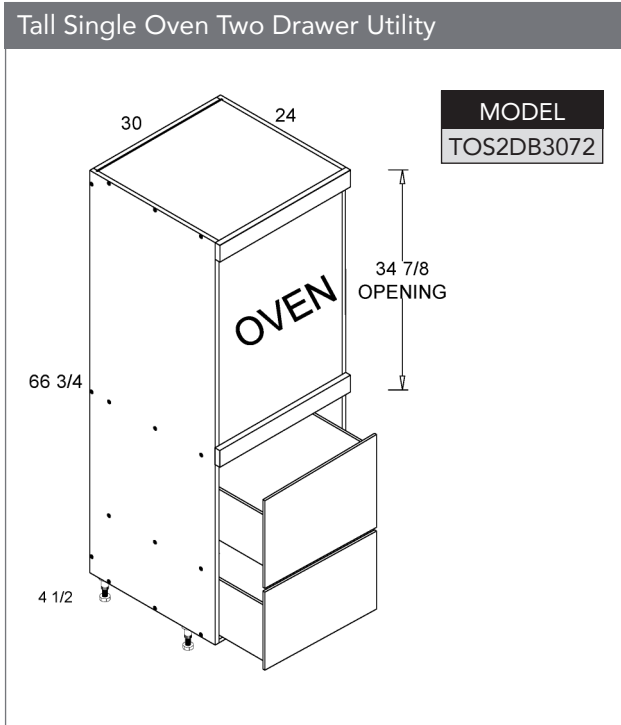
Tall Single Oven Full Height Two Door Utility



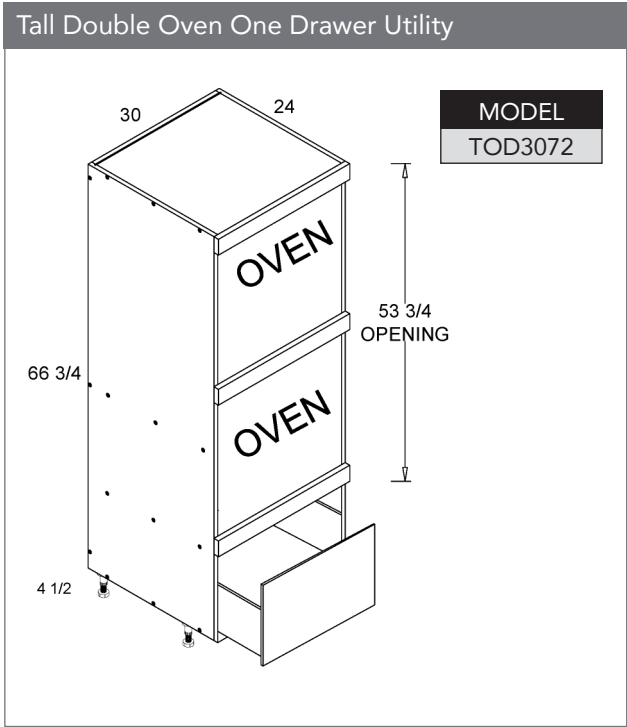
Tall Single Oven Two Door One Drawer Utility



PRODUCT SPECIFICATIONS



PRODUCT SPECIFICATIONS



PRODUCT SPECIFICATIONS

Full Height One Door Vanity Bases

MODEL
VB12FH
VB15FH
VB18FH

One Door One Drawer Vanity Bases

MODEL
VB12
VB15
VB18

49

Two Drawer Vanity Bases

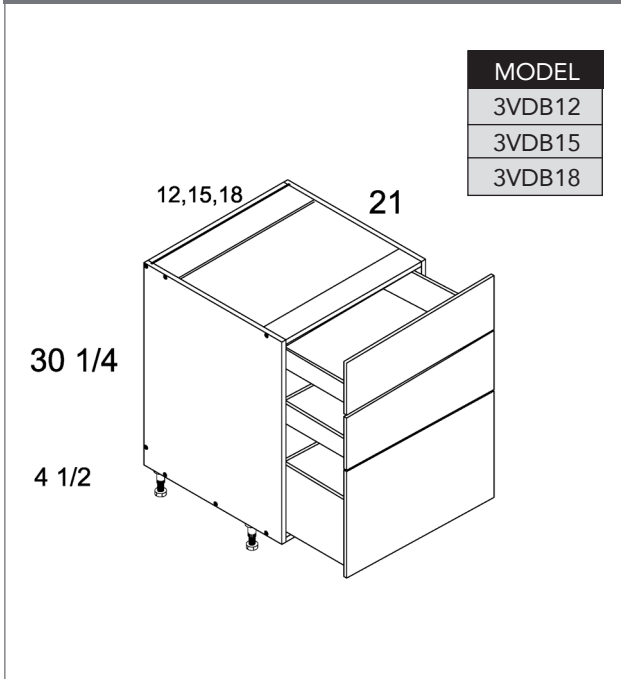
MODEL
2VDB12
2VDB15
2VDB18

Two Drawer with One Inner Drawer Vanity Bases

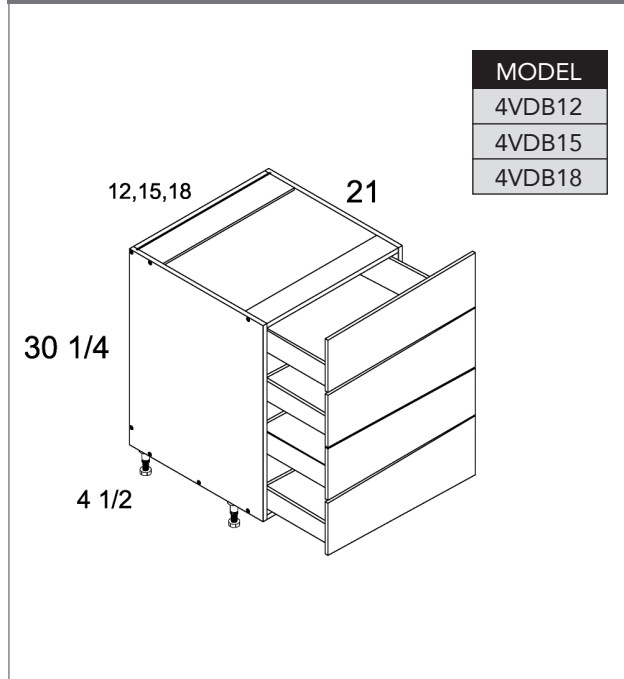
MODEL
2VDBID12
2VDBID15
2VDBID18

PRODUCT SPECIFICATIONS

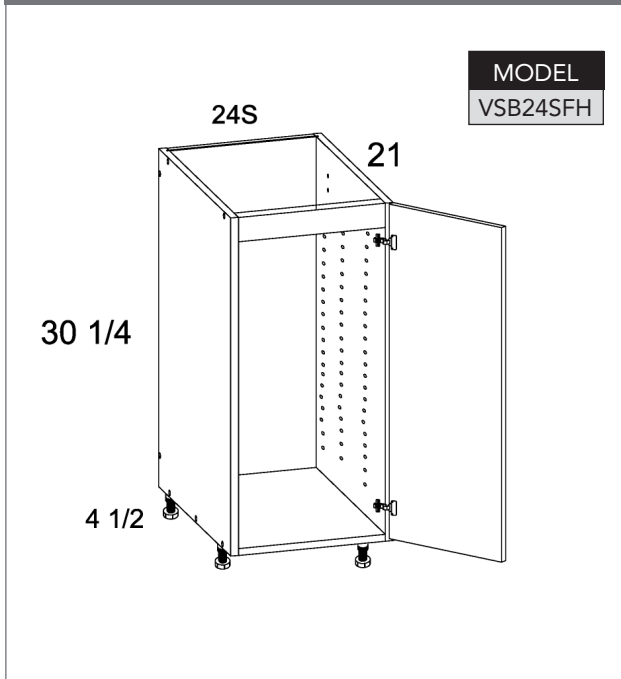
Three Drawer Vanity Bases



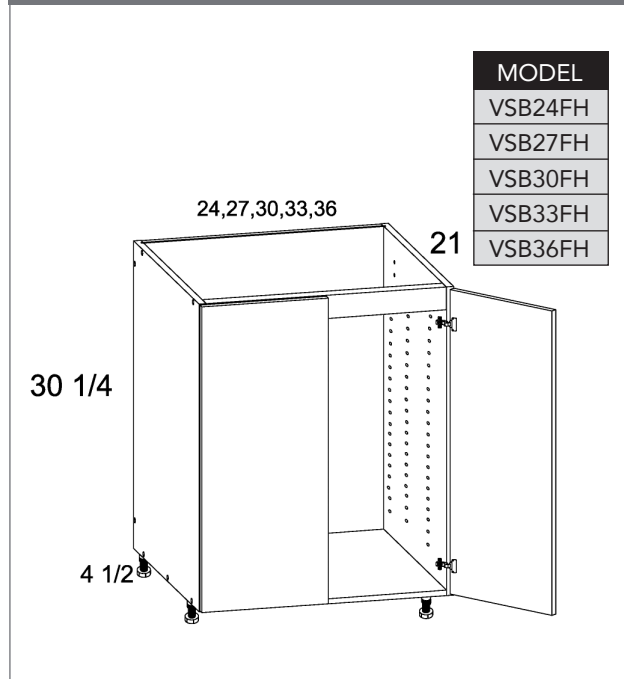
Four Drawer Vanity Bases



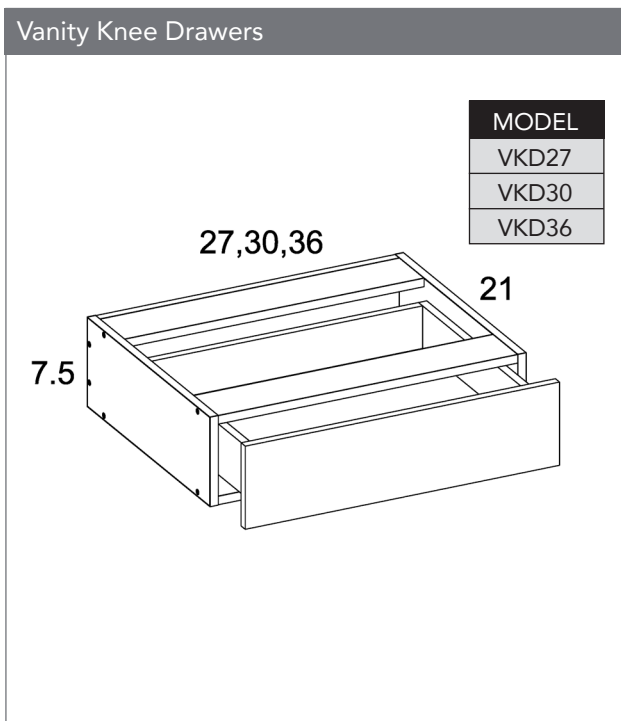
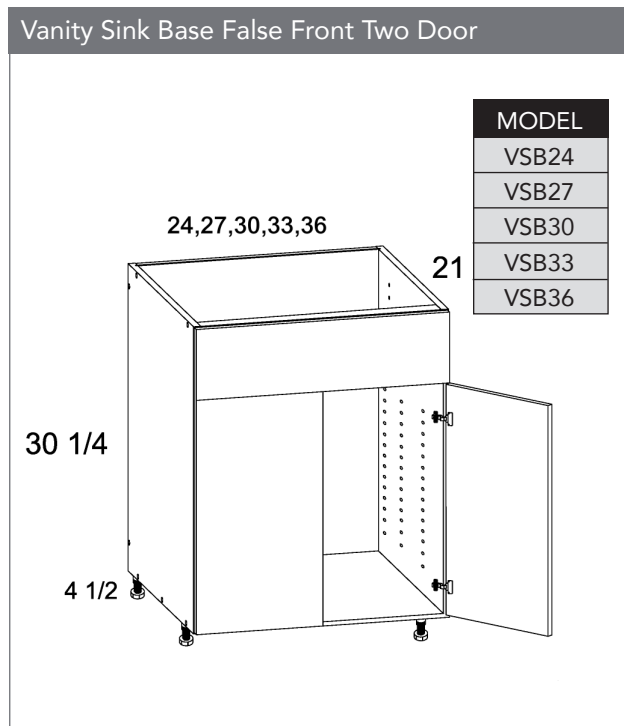
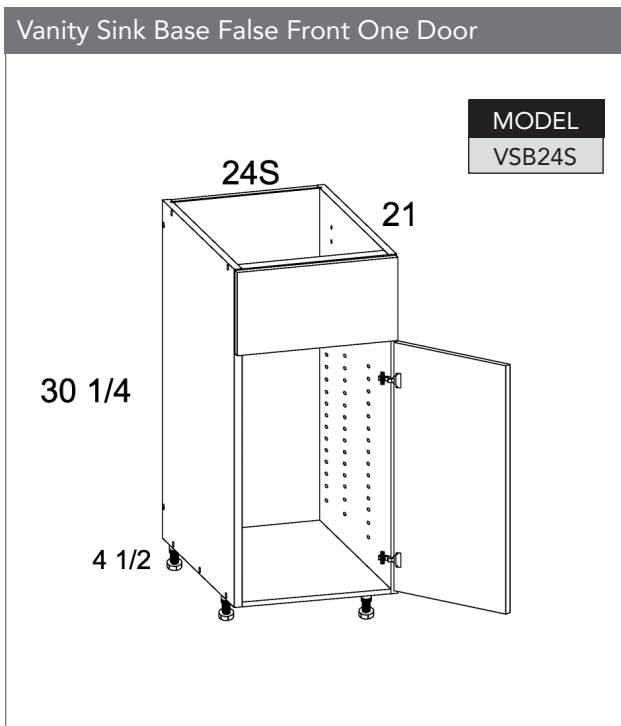
Full Height One Door Vanity Sink Bases



Full Height Double Door Vanity Sink Bases



PRODUCT SPECIFICATIONS



PRODUCT SPECIFICATIONS

1 3/4" Angle Crown Moulding

MODEL
ACM8

- Support Moulding (SMP2) required to secure to the cabinet.
- Available in Verona style only.

3" Angle Crown Moulding

MODEL
LACM8

- Support Moulding (SMP2) required to secure to the cabinet.
- Available in Verona style only.

2 1/2" Cove Crown Moulding

MODEL
MCVE8

- Support Moulding (SMP2) required to secure to the cabinet.
- Available in Verona style only.

3 3/8" Cove Crown Moulding

MODEL
LCVE8

- Support Moulding (SMP2) required to secure to the cabinet.
- Available in Verona style only.

1 1/2" Light Rail Moulding

MODEL
MPF1

- Support Moulding (SMP2) required to secure to the cabinet.
- Available in Verona style only.

6" Crown Extension Moulding

MODEL
MPF6

- Support Moulding (SMP2) required to secure to the cabinet.
- Available in Verona style only.

52

PRODUCT SPECIFICATIONS

Support Moulding

MODEL
SPM2

- Required for use with all crown mouldings to secure to the cabinet.
- Available in Verona style only.

Outside Corner Moulding

MODEL
OCM8

Batten Moulding

MODEL
BM8

Scribe Moulding

MODEL
SM8

Shoe Moulding

MODEL
SHM8

- Available in Verona style only.

Toe Kick Cover

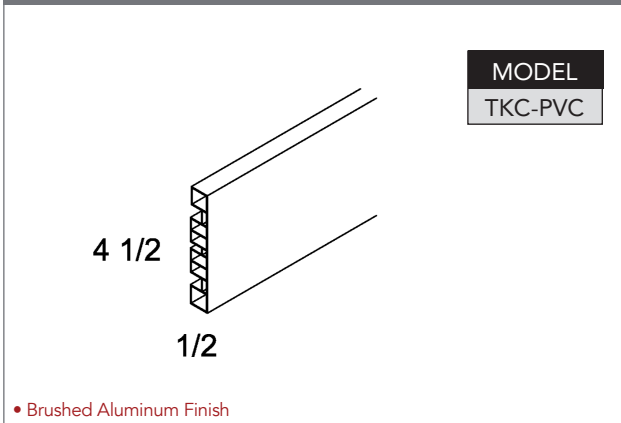
MODEL
TKC

- Edgebanded on all four edges
- Matching Laminate Face

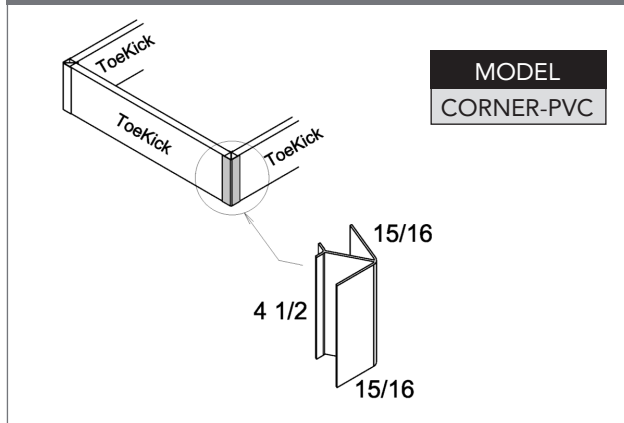
53

PRODUCT SPECIFICATIONS

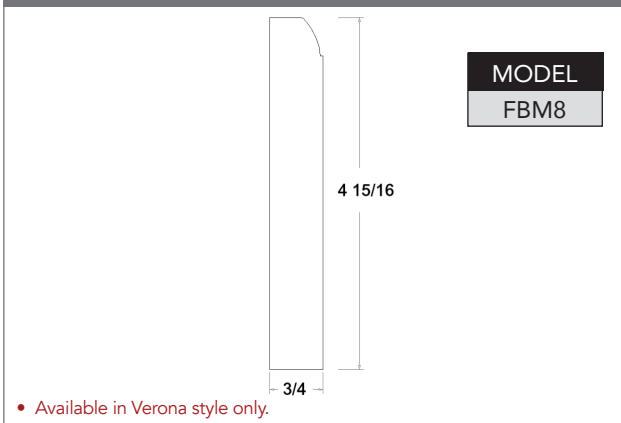
Brushed Aluminum PVC Toe Kick Cover



PVC Toe Kick Corner Connector



Furniture Base Moulding



54

PRODUCT SPECIFICATIONS

Fillers - Appliance Filler (Three Pack)

MODEL
AF3006

30

6

• Edgebanded on all four edges

Fillers - 3" Filler Overlays

MODEL
OF323
OF330
OF335
OF340
OF384
OF389
OF394

3

22 5/8
30 1/4
35 1/4
40 1/4
83
88
93

Fillers - 6" Filler Overlays

MODEL
OF630
OF635
OF640
OF684
OF689
OF694

6

30 1/4
35 1/4
40 1/4
83
88
93

PRODUCT SPECIFICATIONS

Panels - Base End Panel

MODEL
BEP2535

25 5/16
35 1/4
3/4

• Edgebanded on all four edges

Panels - Wall End Panel

MODEL
WEP1523
WEP1530
WEP1535
WEP1540

15
22 5/8
30 1/4
35 1/4
40 1/4
3/4

• Edgebanded on all four edges

Panels - Long End Panel

MODEL
BP9642

96
42
3/4

• Edgebanded on all four edges

Panels - Tall End Panel

MODEL
TEP3096

29 7/8
96
3/4

• Edgebanded on all four edges

56

PRODUCT SPECIFICATIONS

